

Clutch Release Bearing #1

GMB will continue to distribute our mark-engraved products to the world, as we also strive to improve innovative ideas and actions in answer to the needs of our various international customers.

GMB
Your success is our Future.

Contents

PART 1 Clutch Release Bearing Presentation

1. About Vehicle Application
2. Functions of the Clutch System
3. System Layout
4. System Operation
5. Self Centeringa

PART 2 OE & GMB No. Reference Table

PART3 Clutch Release Bearing Presentation Application

- | | |
|--------------|--------------|
| • AUDI | • OPEL |
| • CITROEN | • PEUGEOT |
| • DAIHATSU | • PORSCHE |
| • FORD | • PROTON |
| • DAEWOO | • ROVER |
| • HONDA | • SAAB |
| • HYUNDAI | • SUBARU |
| • ISUZU | • SUZUKI |
| • KIA | • TALBOT |
| • MAZDA | • TOYOTA |
| • MITSUBISHI | • VAUXHALL |
| • NISSAN | • VOLKSWAGEN |

PART4 Item Reference Table

PART5 Item Picture & Basic Dimension





GMB Group

Global Management Business

GMB KOREA CORP.



**QINGDAO GMB
MACHINERY PRODUCE CO.,LTD.**



GMB NORTH AMERICA INC.(New Jersey)



THAI GMB IND CO.,LTD.



GMB CORPORATION(HQ)



GMB NORTH AMERICA INC.(California)



QINGDAO GMB AUTOMOTIVE CO.,LTD.

PART 1

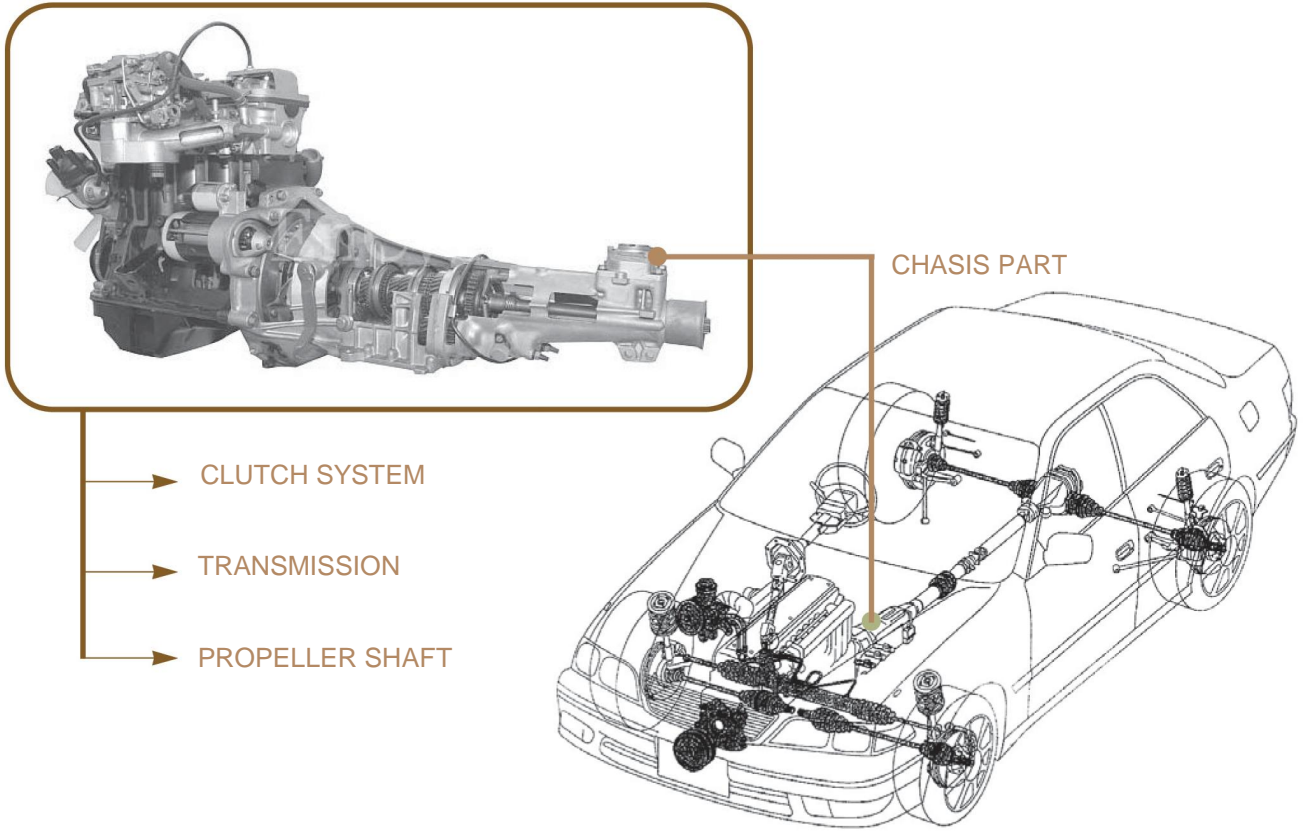
Clutch Release Bearing Presentation

1. About Vehicle Application
2. Functions of the Clutch System
3. System Layout
4. System Operation
5. Self Centering

GMB

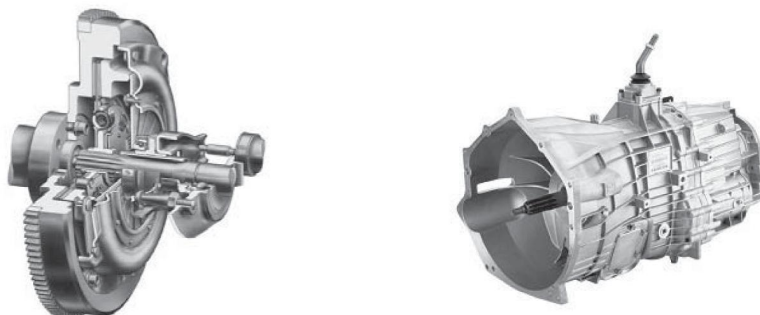
1. About Vehicle Application

●Power Train System



2. Functions of the Clutch System

- Component cutting off the engine power from driving shaft when starting an engine or frequently shifting gears.
- It allows a slide when the power is conveyed by clutch so that the power can be dynamically controlled in slow/high speed, on a slope or on a downhill, facilitating smooth driving.
- In addition, the clutch system helps a vehicle start smoothly and advantageously reduce various noises and vibration occurred in power-train.

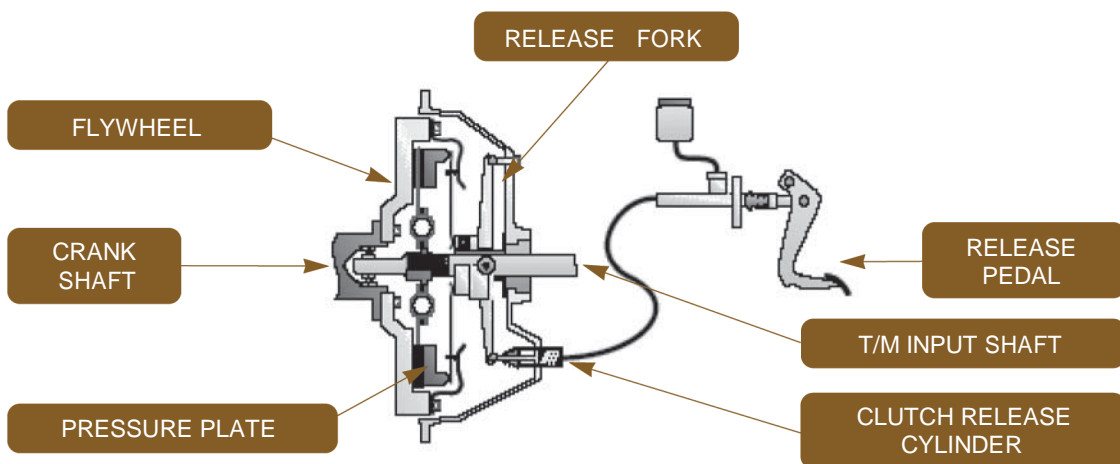


3. System Layout

● Structure of the Clutch Control System

➔ The clutch control system to operate clutch system consists of the following parts.

- CLUTCH PEDAL
- CLUTCH CABLE or CLUTCH RELEASE CYLINDER
- RELEASE FORK, and
- COMPENSATION SPRING.



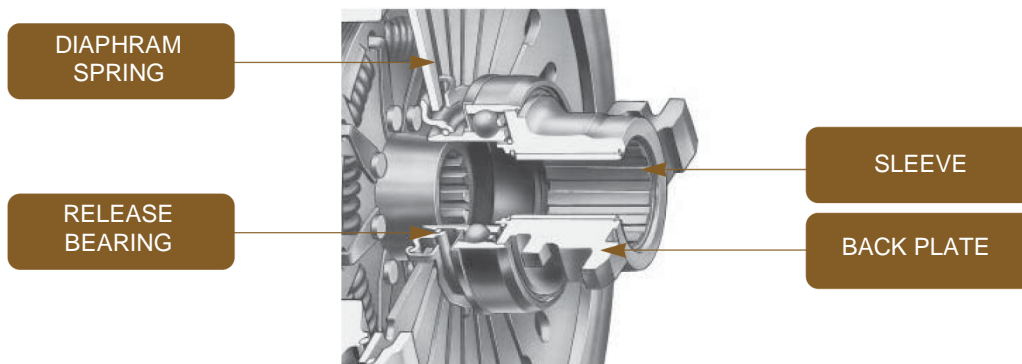
● Peripheral Parts of Clutch Release Bearing

- Sleeve

As the parts with sleeve to be assembled onto the input shaft, it is designed to adjust release bearing and automatic self centering bearing; there are two types; steel tub and plastic sleeve type.

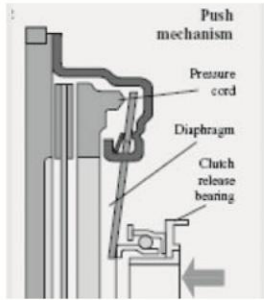
- Back Plate

Backplate on which the release bearing operation part of release fork are attached. In case of large commercial vehicles such as truck or bus, a type that fork is directly applicable to cast iron sleeve is also prepared.



4. System Operation

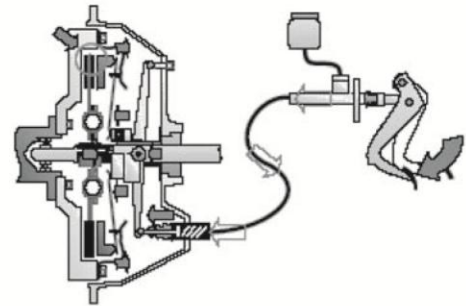
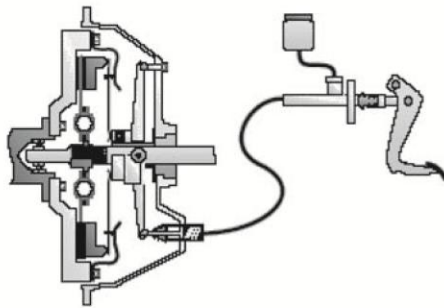
●Clutch Control System's Operation Mechanism [PUSH TYPE]



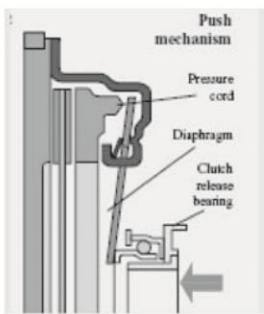
- Pedal operation → Hydraulic pump operation
- Pressure conveyed via hydraulic hose →
- Cylinder operation → Release Fork operation →
- RELEASE BEARING Movement →
- DIAPHRAGM transformation →
- PRESSURE PLATE non-contact →
- Power cut-off between engine and transmission

BEFORE OPERATION

AFTER OPERATION



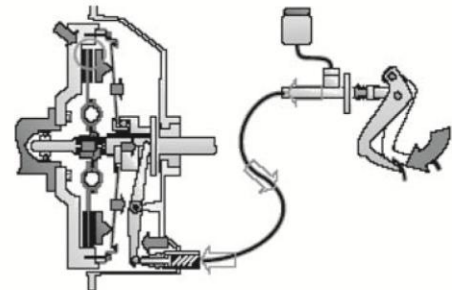
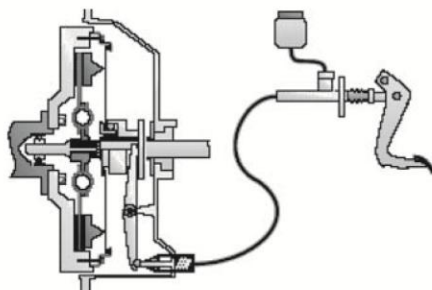
●Clutch Control System's Operation Mechanism [PULL TYPE]



- Pedal operation → Hydraulic pump operation →
- Pressure conveyed via hydraulic hose →
- Cylinder operation → Release Fork operation →
- RELEASE BEARING movement → DIAPHRAGM
- transformation → PRESSURE PLATE non-contact →
- Power cut-off between engine and transmission

BEFORE OPERATION

AFTER OPERATION



5. Self Centering

● Characteristics of the clutch release bearing

➤ Self Centering

- Engine flywheel and sleeve are subject to eccentricity by the manufacturing tolerance.

When release bearing pushes D/Spring Finger Lever to control the coupling of the clutch, the eccentricity may generate a friction to bearing and finger part, probably causing excessive wear.

The self centering system of release bearing automatically adjusts the eccentricity when the clutch operates, avoiding the excessive wear on the clutch and bearing and improving the life span.

➤ Self Centering Force

- Bearing for passenger car : 3 ~ 10 Kgf
- Bearing for commercial vehicle : 12inch (Φ330) : 10 ~18 Kgf
17inch (Φ430) : 20 ~35 Kgf

➤ Auto Centering Force (F)

- $F = \mu \times P$ (Kg) [μ : friction coefficient, P : Spring force]

PART 2

OE & GMB No. Reference Table

- ALFA ROMEO
- AUDI
- BMW
- CITROEN
- DAEWOO
- DAIHATSU
- FIAT
- FORD
- HONDA
- HYUNDAI
- INNOCENTI
- ISUZU
- KIA
- LADA
- LANCIA
- MAZDA
- MITSUBISHI
- NISSAN
- RENAULT
- ROVER
- SEAT
- SKODA
- SUBARU
- SUZUKI
- TOYOTA
- VAUXHALL
- VOLVO
- VOLKSWAGEN

GMB

GMB CLUTCH RELEASE BEARING

OE & GMB No. Reference Table

ALFA ROMEO

| | |
|---------|----------|
| GC96110 | 46821336 |
| GC96110 | 60805112 |
| GC86110 | 60806065 |
| GC96110 | 60811561 |
| GC63110 | 95462693 |

AUDI

| | |
|---------|---------------|
| GC96010 | 012 141 165 D |
| GC96010 | 012 141 165 E |
| GC03010 | 019 141 165 |
| GC96010 | 01E 141 165 |
| GC96010 | 01E 141 165B |
| GC96010 | 01E 161 165 B |
| GC28010 | 02A 141 165 A |
| GC28010 | 02A 141 165 G |
| GC36110 | 085 141 165 H |
| GC03010 | 088 141 165 B |
| GC03010 | 091 141 165 D |
| GC03010 | 113 141 165 B |

BMW

| | |
|---------|-----------------|
| GC34110 | 21 51 1 223 366 |
| GC34110 | 21 51 1 225 203 |

CITROEN

| | |
|---------|----------|
| GC68110 | 2041.47 |
| GC63110 | 95492693 |
| GC63110 | 95496167 |

DAEWOO

| | |
|---------|-----------|
| GC80010 | 90251210 |
| GC80010 | 9006475 |
| GC80010 | 06 68 651 |
| GC80010 | 90251702 |
| GC80010 | 90278884 |
| GC80010 | 8732232 |
| GC59110 | 96181631 |

DAIHATSU

| | |
|---------|-----------------|
| GC90080 | 31230-87202 |
| GC90080 | 31230-87202-000 |
| GC51010 | 31230-87204 |
| GC51010 | 31230-87280 |
| GC88010 | 31230-87504 |
| GC34010 | 31230-87309 |
| GC34010 | 31230-87604 |
| GC10010 | 31230-88702 |
| GC10010 | 31230-88703 |
| GC10010 | 31230-87702 |
| GC10010 | 31230-87703 |
| GC10010 | 31230-87704 |
| GC10010 | 31230-87705 |
| GC10010 | 554 621 203 |
| GC90080 | 90043-63002 |
| GC91080 | 90043-67004 |
| GC91080 | 90363-40061 |
| GC91080 | 90363-40063 |
| GC80080 | 90363-33002 |
| GC80080 | 90363-33004 |
| GC01080 | 90363-4500 |

| | |
|---------|---------------|
| GC01080 | 90363-45002 |
| GC01080 | ME600198 |
| GC21080 | 90363-45009 |
| GC21080 | 90363-45013 |
| GC72080 | 9-00095-038-1 |
| GC72080 | 90363-45079 |

FIAT

| | |
|---------|----------|
| GC96110 | 4409361 |
| GC16110 | 46466726 |
| GC96110 | 46539189 |
| GC96110 | 46821336 |
| GC26010 | 5954175 |
| GC96110 | 5967728 |
| GC96110 | 60805112 |
| GC86110 | 30806065 |
| GC96110 | 60811561 |
| GC16110 | 73501249 |
| GC96110 | 7588805 |
| GC16110 | 7625958 |
| GC86110 | 7628856 |
| GC96110 | 7681283 |
| GC96110 | 7799778 |
| GC63110 | 95492693 |

FORD

| | |
|---------|-------------|
| GC51080 | 0222-16-222 |
| GC13110 | 1554189 |
| GC13110 | 1555006 |
| GC96010 | 4412070 |
| GC13110 | 6091026 |

GMB CLUTCH RELEASE BEARING

OE & GMB No. Reference Table

| | |
|---------|--------------|
| GC13110 | 6124270 |
| GC96010 | 6164967 |
| GC96010 | 88BB 7548 AA |
| GC13110 | 83BB 7548 AA |
| GC13110 | ECB 113 |
| GC96010 | ECB 135 |
| GC61010 | FE62-16-510 |

HONDA

| | |
|---------|---------------|
| GC32110 | 22810-P20-003 |
| GC32110 | 22810-P20-005 |
| GC72010 | 22810-PB6-921 |
| GC72010 | 22810-PB6-922 |
| GC72010 | 22810-PB6-923 |
| GC72010 | 22810-PC8-921 |
| GC72010 | 22810-PC8-922 |
| GC72010 | 22810-PC8-923 |
| GC22110 | 22810-PL3-003 |
| GC22110 | 22810-PL3-005 |

HYUNDAI

| | |
|---------|-------------|
| GC55110 | 41421-02000 |
| GC20020 | 41421-28020 |
| GC40010 | 41410-11000 |
| GC40010 | 41421-21000 |
| GC40010 | 41421-21300 |
| GC40010 | 41421-21400 |
| GC40010 | 41421-26000 |
| GC40010 | 41421-36000 |
| GC20020 | 41421-39000 |
| GC81010 | 41421-43000 |

| | |
|---------|-------------|
| GC81010 | 41421-43010 |
| GC81010 | 41421-43020 |
| GC81010 | 41421-43030 |
| GC81010 | MD 719469 |

INNOCENTI

| | |
|---------|---------|
| GC96110 | 7681283 |
|---------|---------|

ISUZU

| | |
|---------|---------------|
| GC71080 | 1-09820-008-0 |
| GC71080 | 1-09820-008-1 |
| GC71080 | 1-31312-002-1 |
| GC71080 | 9-00095-0300 |
| GC84010 | 1-09820-078-0 |
| GC84010 | 5-09800-078-0 |
| GC41080 | 5-09803-004-0 |
| GC41080 | 5-09803-005-0 |
| GC41080 | 90043-67014 |
| GC41080 | 0222-16-220 |
| GC41080 | 0222-16-222 |
| GC41080 | MD 702241 |
| GC41080 | D27Z-7548-A |
| GC41080 | MD 702241 |
| GC41080 | D27Z-7548-A |
| GC41080 | 5-09800-072-0 |
| GC51080 | 5-09800-072-0 |
| GC51080 | 5-09803-004-0 |
| GC90010 | 5-31314-001 |
| GC90010 | 5-31314-001-1 |
| GC90010 | 5-31314-011-0 |
| GC90010 | 1000-9290-5 |

| | |
|---------|---------------|
| GC90010 | 8-94127-773 |
| GC90010 | 8-94158-408 |
| GC01010 | 8-94101-243-0 |
| GC82010 | 8-94106-658-0 |
| GC82010 | 8-94109-658-0 |
| GC82010 | 8-94109-658-1 |
| GC82010 | 8-94389-367-0 |
| GC31010 | 8-94377-417-1 |
| GC31010 | 8-94379-416 |
| GC31010 | 8-94379-449 |
| GC31010 | 8-94379-499-0 |
| GC31010 | 8-94453-348-0 |
| GC31010 | 8-94453-349 |
| GC43010 | 8-97023-074-0 |

KIA

| | |
|---------|---------------|
| GC61010 | OFE62-16-510A |
| GC11010 | KB301-16-510 |
| GC61010 | OK011-16-510 |
| GC61080 | 30502-90006 |
| GC30080 | 30502-90007 |
| GC12010 | 30502-96E20 |
| GC41010 | 30502-M8000 |
| GC41010 | 30502-M8005 |
| GC41010 | 30502-M8060 |
| GC52080 | 30502-V6200 |
| GC92010 | 30502-W1700 |
| GC92010 | 30502-W1701 |
| GC71080 | 30502-Z5000 |
| GC71080 | 30502-Z5001 |
| GC11010 | OK2A116510A |

GMB CLUTCH RELEASE BEARING

OE & GMB No. Reference Table

LADA

| | |
|---------|--------------|
| GC68010 | 211001601180 |
|---------|--------------|

LANCIA

| | |
|---------|---------|
| GC16110 | 7625958 |
|---------|---------|

| | |
|---------|---------|
| GC86110 | 7628856 |
|---------|---------|

MAZDA

| | |
|---------|-------------|
| GC72080 | 0086-16-222 |
|---------|-------------|

| | |
|---------|--------------|
| GC72080 | 0086-16-222A |
|---------|--------------|

| | |
|---------|-------------|
| GC72080 | 0107-16-222 |
|---------|-------------|

| | |
|---------|-------------|
| GC72080 | 0603-16-222 |
|---------|-------------|

| | |
|---------|-------------|
| GC72080 | 0672-16-220 |
|---------|-------------|

| | |
|---------|-----------|
| GC72080 | MD 800241 |
|---------|-----------|

| | |
|---------|-------------|
| GC31080 | 0727-16-512 |
|---------|-------------|

| | |
|---------|--------------|
| GC31080 | 0727-16-512A |
|---------|--------------|

| | |
|---------|-------------|
| GC31080 | 1304-16-510 |
|---------|-------------|

| | |
|---------|--------------|
| GC31080 | 1304-16-510A |
|---------|--------------|

| | |
|---------|--------------|
| GC31080 | 1304-16-510B |
|---------|--------------|

| | |
|---------|-------------|
| GC21010 | 8450-16-510 |
|---------|-------------|

| | |
|---------|--------------|
| GC21010 | 8450-16-510B |
|---------|--------------|

| | |
|---------|-------------|
| GC21010 | 8540-16-510 |
|---------|-------------|

| | |
|---------|--------------|
| GC21010 | 8540-16-510B |
|---------|--------------|

| | |
|---------|-----------|
| GC21010 | 33 96 878 |
|---------|-----------|

| | |
|---------|------------|
| GC21010 | 03 396 878 |
|---------|------------|

| | |
|---------|-------------|
| GC55010 | B301-16-510 |
|---------|-------------|

| | |
|---------|--------------|
| GC11010 | B301-16-510A |
|---------|--------------|

| | |
|---------|--------------|
| GC11010 | KB301-16-510 |
|---------|--------------|

| | |
|---------|-------------|
| GC22010 | E8BZ-7548-A |
|---------|-------------|

| | |
|---------|--------------|
| GC22010 | B301-15-510A |
|---------|--------------|

| | |
|---------|-------------|
| GC22010 | B301-16-510 |
|---------|-------------|

| | |
|---------|--------------|
| GC22010 | B301-16-510A |
|---------|--------------|

| | |
|---------|-------------|
| GC22010 | B311-16-510 |
|---------|-------------|

| | |
|---------|-------------|
| GC22010 | B315-16-510 |
|---------|-------------|

| | |
|---------|-------------|
| GC80110 | B622-16-510 |
|---------|-------------|

| | |
|---------|-------------|
| GC61010 | BP02-16-510 |
|---------|-------------|

| | |
|---------|-------------|
| GC61010 | SE03-16-510 |
|---------|-------------|

| | |
|---------|-------------|
| GC91010 | E301-16-510 |
|---------|-------------|

| | |
|---------|--------------|
| GC55010 | E301-16-510A |
|---------|--------------|

| | |
|---------|--------------|
| GC61010 | FE82-16-510A |
|---------|--------------|

| | |
|---------|---------------|
| GC61010 | OFE62-16-510A |
|---------|---------------|

| | |
|---------|--------------|
| GC61010 | OK011-16-510 |
|---------|--------------|

| | |
|---------|--------------|
| GC21010 | G560-16-510B |
|---------|--------------|

| | |
|---------|--------------|
| GC21010 | H606-16-510A |
|---------|--------------|

| | |
|---------|-------------|
| GC21010 | SE03-16-510 |
|---------|-------------|

MITSUBISHI

| | |
|---------|-------------|
| GC71080 | 03452-69000 |
|---------|-------------|

| | |
|---------|-------------|
| GC40010 | 41421-36000 |
|---------|-------------|

| | |
|---------|-----------|
| GC51080 | MD 702241 |
|---------|-----------|

| | |
|---------|-----------|
| GC32010 | MD 703270 |
|---------|-----------|

| | |
|---------|-----------|
| GC40010 | MD 706180 |
|---------|-----------|

| | |
|---------|-----------|
| GC40010 | MD 719925 |
|---------|-----------|

| | |
|---------|-----------|
| GC40010 | MD 722744 |
|---------|-----------|

| | |
|---------|-----------|
| GC40010 | MD 749998 |
|---------|-----------|

| | |
|---------|-----------|
| GC22080 | ME 600000 |
|---------|-----------|

| | |
|---------|-----------|
| GC30010 | ME 600340 |
|---------|-----------|

| | |
|---------|-----------|
| GC30010 | ME 600341 |
|---------|-----------|

| | |
|---------|-----------|
| GC30010 | ME 600576 |
|---------|-----------|

| | |
|---------|-----------|
| GC30010 | ME 602710 |
|---------|-----------|

| | |
|---------|-----------|
| GC30010 | ME 605584 |
|---------|-----------|

| | |
|---------|-----------|
| GC71080 | ME 620330 |
|---------|-----------|

| | |
|---------|-----------|
| GC12080 | ME 627580 |
|---------|-----------|

| | |
|---------|---------|
| GC81080 | JM60330 |
|---------|---------|

| | |
|---------|-----------|
| GC81080 | MJM 60330 |
|---------|-----------|

| | |
|---------|-------------|
| GC81080 | 90363-38013 |
|---------|-------------|

| | |
|---------|-----------|
| GC10020 | MR 145619 |
|---------|-----------|

| | |
|---------|-----------|
| GC81010 | MR 195689 |
|---------|-----------|

| | |
|---------|-----------|
| GC90080 | MT 209224 |
|---------|-----------|

| | |
|---------|-----------|
| GC90080 | MT 209225 |
|---------|-----------|

NISSAN

| | |
|---------|-------------|
| GC02110 | 30502-01B00 |
|---------|-------------|

| | |
|---------|-------------|
| GC12010 | 30502-03E20 |
|---------|-------------|

| | |
|---------|-------------|
| GC12010 | 30502-03E21 |
|---------|-------------|

| | |
|---------|-------------|
| GC02010 | 30502-03E24 |
|---------|-------------|

| | |
|---------|-------------|
| GC02080 | 90043-67015 |
|---------|-------------|

| | |
|---------|-------------|
| GC02080 | 21123-05010 |
|---------|-------------|

| | |
|---------|-------------|
| GC02080 | 21123-0504P |
|---------|-------------|

| | |
|---------|-------------|
| GC02080 | 30502-13200 |
|---------|-------------|

| | |
|---------|-------------|
| GC02080 | 30502-32200 |
|---------|-------------|

| | |
|---------|-------------|
| GC02080 | 30502-86401 |
|---------|-------------|

| | |
|---------|-------------|
| GC60080 | 30502-21000 |
|---------|-------------|

| | |
|---------|-------------|
| GC02010 | 30502-28E14 |
|---------|-------------|

| | |
|---------|-------------|
| GC12110 | 30502-28E18 |
|---------|-------------|

| | |
|---------|-------------|
| GC12110 | 30502-28E19 |
|---------|-------------|

| | |
|---------|-------------|
| GC12010 | 30502-28E20 |
|---------|-------------|

| | |
|---------|-------------|
| GC12010 | 30502-28E21 |
|---------|-------------|

| | |
|---------|-------------|
| GC12010 | 30502-96E20 |
|---------|-------------|

| | |
|---------|-------------|
| GC02010 | 30502-28E24 |
|---------|-------------|

| | |
|---------|-------------|
| GC92010 | 30502-30P00 |
|---------|-------------|

| | |
|---------|-------------|
| GC92010 | 30502-45P00 |
|---------|-------------|

| | |
|---------|-------------|
| GC93010 | 30502-52A00 |
|---------|-------------|

GMB CLUTCH RELEASE BEARING

OE & GMB No. Reference Table

| | |
|---------|-------------|
| GC93010 | 30502-52A60 |
| GC93010 | 30502-53J00 |
| GC93010 | 30502-53J01 |
| GC93010 | 30502-53J05 |
| GC93010 | 30502-54A00 |
| GC12110 | 30502-56A00 |
| GC41010 | 30502-81N00 |
| GC41010 | 30502-81N05 |
| GC65010 | 30502-D3522 |
| GC65010 | 30502-D3518 |
| GC65010 | 30502-D3560 |
| GC65010 | 30502-D3561 |
| GC41010 | 30502-M8000 |
| GC41010 | 30502-M8005 |
| GC41010 | 30502-M8060 |
| GC52080 | 30502-V6200 |
| GC92010 | 30502-W1700 |

RENAULT

| | |
|---------|---------------|
| GC07010 | 77 00 519 170 |
| GC63110 | 77 00 576 298 |
| GC63110 | 77 00 589 253 |
| GC07010 | 77 00 638 870 |
| GC07010 | 77 00 676 150 |
| GC08010 | 77 00 692 431 |
| GC64010 | 77 00 725 237 |
| GC64010 | 77 00 869 415 |
| GC07010 | 77 01 348 231 |
| GC63110 | 77 01 348 537 |
| GC08010 | 77 01 349 113 |
| GC07010 | 77 01 616 841 |

| | |
|---------|---------------|
| GC08010 | 77 04 001 363 |
| GC64010 | 77 04 001 430 |

ROVER

| | |
|---------|---------|
| GC37010 | GRB 240 |
| GC37010 | GRB 241 |

SEAT

| | |
|---------|----------------|
| GC37010 | 020 141 165 G |
| GC28010 | 02A 141 165 E |
| GC28010 | 02A 141 165 G |
| GC36110 | 085 141 165 E |
| GC36110 | 085 141 165 H |
| GC26010 | 4316750 |
| GC96110 | SE 022125316 A |

SKODA

| | |
|---------|---------------|
| GC96010 | 012 141 165 E |
| GC37010 | 020 141 165 H |
| GC28010 | 02A 141 165 E |
| GC28010 | 02A 141 165 G |

SUBARU

| | |
|---------|-------------|
| GC10020 | 30502-12U00 |
| GC03110 | 30502-AA051 |
| GC10020 | 30502-AA080 |
| GC90080 | 30502-KA000 |
| GC90080 | 30502-KA001 |

SUZUKI

| | |
|---------|-------------|
| GC23010 | 09269-28004 |
| GC23010 | 09269-28005 |
| GC23010 | 09269-53004 |
| GC50010 | 09269-28006 |
| GC20010 | 09269-33001 |
| GC20010 | 09269-33002 |
| GC20010 | 09269-33004 |
| GC90080 | 83151-4700 |
| GC90080 | 09269-33003 |
| GC90080 | 09269-35005 |
| GC90080 | 09269-53003 |
| GC90080 | 09269-35003 |
| GC20010 | 09269-35004 |
| GC50010 | 23265-65G00 |
| GC20010 | 23265-70C00 |
| GC20010 | 23265-77D00 |

TOYOTA

| | |
|---------|-------------|
| GC70010 | 31230-05010 |
| GC70010 | 31230-05011 |
| GC70010 | 31230-05012 |
| GC04010 | 31230-12040 |
| GC04010 | 31230-12100 |
| GC04010 | 31230-12110 |
| GC04010 | 31230-12130 |
| GC04010 | 31230-12140 |
| GC70010 | 31230-12170 |
| GC70010 | 31230-12180 |
| GC70010 | 31230-18180 |
| GC04010 | 31230-16060 |

GMB CLUTCH RELEASE BEARING

OE & GMB No. Reference Table

| | |
|---------|----------------|
| GC04010 | 31230-16071 |
| GC70010 | 31230-20140 |
| GC06110 | 31230-20160 |
| GC06110 | 31230-20170 |
| GC53010 | 31230-22080 |
| GC53010 | 31230-22081 |
| GC53010 | 31230-22090 |
| GC33010 | 31230-32010 |
| GC33010 | 31230-32011 |
| GC33010 | 31230-32020 |
| GC33010 | 31230-32040 |
| GC83010 | 31230-32060 |
| GC63010 | 31230-35050 |
| GC63010 | 31230-35060 |
| GC63010 | 30508-KA001 |
| GC63010 | 30508-KA040 |
| GC71010 | 31230-35070 |
| GC71010 | 31230-35080 |
| GC71010 | 03452-69000 |
| GC71010 | 30502-Z5000 |
| GC71010 | 30502-Z5001 |
| GC60010 | 31230-35090 |
| GC60010 | 31230-32011 |
| GC60010 | 31230-32020 |
| GC60010 | 31230-14042 |
| GC60010 | 31230-30150 |
| GC60010 | 31230-35101 |
| GC60010 | 31230-35102 |
| GC60010 | J31 230 350 90 |
| GC94010 | 31230-36150 |
| GC62010 | 31230-36160 |

| | |
|---------|--------------|
| GC42010 | 31230-36170 |
| GC05010 | 31230-60120 |
| GC52010 | 31230-60130 |
| GC52010 | 31230-36200 |
| GC44010 | 31230-60150 |
| GC44010 | 31230-60160 |
| GC44010 | 31230-60170 |
| GC51010 | 31230-87280 |
| GC80080 | 90363-33002 |
| GC80080 | 90363-33004 |
| GC10080 | 90363-40001 |
| GC10080 | 90363-40002 |
| GC10080 | 90363-40008 |
| GC10080 | 90363-40009 |
| GC10080 | 90363-40006 |
| GC10080 | 90363-40015 |
| GC10080 | 90363-40016 |
| GC10080 | 90363-40019 |
| GC10080 | 90363-40022 |
| GC11080 | 90363-520086 |
| GC11080 | 90363-52001 |

VAUXHALL

| | |
|---------|----------|
| GC01010 | 4293862 |
| GC01010 | ME600198 |
| GC31010 | 668659 |
| GC01010 | 94101243 |
| GC31010 | 94379499 |

VOLVO

| | |
|---------|-----------|
| GC64010 | 3467165 |
| GC64010 | 3411119-5 |

VOLKSWAGEN

| | |
|---------|----------------|
| GC03010 | 019 141 165 |
| GC37010 | 020 141 165 G |
| GC37010 | 020 141 165 H |
| GC28010 | 02A 141 165 A |
| GC28010 | 02A 141 165 E |
| GC28010 | 02A 141 165 G |
| GC36110 | 085 141 165 E |
| GC36110 | 085 141 165 H |
| GC03010 | 088 141 165 B |
| GC03010 | 091 141 165 D |
| GC03010 | 113 141 165 B |
| GC71010 | ME620330 |
| GC71010 | J31 230 350 70 |

PART 3

Clutch Release Bearing Application

- AUDI
- CITROEN
- DAIHATSU
- FORD
- DAEWOO
- HONDA
- HYUNDAI
- ISUZU
- KIA
- MAZDA
- MITSUBISHI
- NISSAN

- OPEL
- PEUGEOT
- PORSCHE
- PROTON
- ROVER
- SAAB
- SUBARU
- SUZUKI
- TALBOT
- TOYOTA
- VAUXHALL
- VOLKSWAGEN

GMB

GMB CLUTCH RELEASE BEARING



| OE Maker | | Clutch | Vehicle Model | Engine Type |
|----------|------------|--------------------|--|--------------------------------|
| AUDI | 80 Avant | GC03010 | 80 (Ch.3-9, A-> 81-H-299000) | |
| | 80 Quattro | GC03010 | 80 (Ch.81/85-F-000 0001->81/85-H-299999) | |
| | 90 Avant | GC03010 | 90 (Ch.3-9, A->81-H-299000) | |
| | 90 Quattro | GC03010 | 90 (Ch.81/85-F-000 0001->81/85-H-299999) | |
| | 100 | GC03010 | 100 Avant/Quattro (-> Ch.44-J-200099) | |
| | 200 | GC03010 | 200 Avant/Quattro | |
| | Coupe | GC03010 | Coupe/Quattro (Ch.B-J) | |
| CITROEN | BX | GC84010 | BX 1.6, 1.9 | |
| | | GC84010 | BX 1.7 Diesel, 1.9 Diesel | |
| | Visa | GC84010 | Visa 1.6 | |
| | | GC84010 | Visa 1.7 Diesel | |
| | C15 | GC84010 | C15 1.1 | "E" - 1118cc |
| | | GC84010 | C15 1.3 | 1294cc |
| | | GC84010 | C15 1.8 Diesel | 1769cc |
| DAIHATSU | 4 x 4 | GC7008 | 4 x 4 F20 | 1600cc |
| | | GC10080 | 4 x 4 F80, F85, F87 | 2000cc |
| | | GC34010 | 4 x 4 F70, F25, F77 | Diesel |
| | | GC10010 | Applause A101 | 1600cc |
| | Charade | GC10010 | Charade G11, G30, E-G11, E-G11V, N-G30, N-G30V | 1000cc |
| | | GC10010 | Charade E-G100SS, E-G112S | 1000cc, 1300cc 4WD Gasoline |
| | | GC10010 | Charade G100, G101, G102, G112 | 1000cc, 1300cc |
| | | GC10010 | Charade G200, G201, G202, G203 | 1000cc, 1300cc, 1500cc, 1600cc |
| | | GC90080 | Charade G101, G100, G102 | Diesel |
| | | GC90080 | Charade G20, G10 | 850cc, 1000cc |
| | | GC20080 | Charmant A10, 10V | 1200cc / GBX:5 |
| | Charmant | GC20080 | Charmant A20, 20V | 1400cc |
| | | GC10080 | Charmant A20, 20V | 1400cc |
| | | GC10080 | Charmant A40, A45, A60, A65 | 1600cc |
| | | GC20080 | Consorte EP42, 47, 51 | 1200cc / GBX:5 |
| | Feroza | GC90080 | Fellow Max, Max Coure L38, 38V | 360cc |
| | Leeza | GC90080 | Leeza E-L100S | 550cc |
| GC90080 | | Leeza L100S, L100V | 550cc | |
| GC90080 | | Leeza E-L70S | 550cc | |
| GC90080 | | Leeza L111S | 660cc | |


CLUTCH RELEASE BEARING 2012




| | |  |  |  |
|----------|------------------------|---|---|---|
| OE Maker | | Clutch | Vehicle Model | Engine Type |
| DAIHATSU | Max Cuore | GC90080 | Max Cuore L40 | 550cc |
| | Mira Cuore | GC90080 | Mira Cuore L55,55V,40,40V,45,45V | 550cc |
| | | GC90080 | Mira Cuore E-L55, E-L60 | 550cc, 600cc |
| | | GC90080 | Mira Cuore M-L56V, M-L55V | 550cc |
| | | GC90080 | Mira Cuore L70S, L70V, L71V | 550cc |
| | | GC90080 | Mira Cuore E-L70S, L100S, M-L70V | 550cc |
| | | GC90080 | Mira Cuore L60 (DK type clutch) | 600cc |
| | | GC90080 | Mira Cuore L200/210S, L200/210V | 660cc |
| | | GC90080 | Mira Cuore L80, L200, L201 | 850cc |
| | | Taft/Rocky | GC34010 | Rocky 4x4 F7#, F8#, F9# |
| | GC34010 | | Rugger F70, 75, 80, 81, 82 | 4WD 2800cc Diesel |
| | GC70080 | | Taft F20, 25 | 1600cc 4WD |
| | GC34010 | | Taft F50, 55, N-F60V | 2500cc 4WD |
| | GC10080 | | Taft, Rocky F80, 85 | 2000cc 4WD |
| | GC34010 | | Taft, Rocky F60, 60V, 70, 71, 75, 76 | 2800cc 4WD |
| | Delta | GC34010 | Delta N-V54P, N-V58, N-V59 | 1.75t |
| | | GC01080 | Delta N-V10D, N-V47D, N-V48 | 1.75t, 3000cc |
| | | GC10080 | Delta V30, V20, V69 | 2000cc, 2500cc |
| | | GC01080 | Delta V69, V109 | 2000cc, 2200cc |
| | | GC10080 | Delta V109 | 2200cc |
| | | GC01080 | Delta N-V78, 79, 98, 99 | 2000cc |
| | | GC01080 | Delta V76, V78, V78D, V79 | 3400cc |
| | | GC01080 | Delta P-V75, P-V76 | 3000cc |
| | | GC01080 | Delta N-V76, N-V78D, N-V79 | 3000cc, 2000cc |
| | | GC01080 | Delta V10 | Diesel |
| | | GC34010 | Delta V57, V58, V59 | Diesel |
| | | GC01080 | Delta V78, 79, 89, 98, 99 | Diesel |
| | | GC21080 | Delta V118 | Diesel |
| | | GC91080 | Delta 1500 SV17 | 1600cc |
| | | GC02080 | Delta 1500 SV17 | 1600cc |
| | | GC91080 | Delta 1500 SV23, DV23 | 2000cc |
| | | GC10080 | Delta 1500 V34, V36 | 2000cc |
| | GC41080 | Delta 1500 SV18 | 2500cc | |
| GC34010 | Delta 1500 V24, 26 | 2500cc | | |
| GC34010 | Delta 2000 V57, 58, 59 | 1.75 ton Diesel | | |

GMB CLUTCH RELEASE BEARING



| OE Maker | Clutch | Vehicle Model | Engine Type | | | |
|------------------|--------------------------------------|------------------------|------------------------------------|-------------------------|-------------------------------|--------------|
| DAIHATSU | Delta | GC10080 | Delta 2000 V30, 32, 33, 35 | 2000cc | | |
| | | GC34010 | Delta 2000 V20, 23, 24, 25 | 2500cc Diesel | | |
| | | GC41080 | Delta 2000 SV26, DV26 | 2500cc Diesel | | |
| | | GC34010 | Delta 2000 V57 | 2800cc Diesel | | |
| | | GC01080 | Delta 2000 V10, 11, 12 | 3000cc Diesel | | |
| | | GC01080 | Delta 2000 V75, 76, 78, 79, 98, 99 | 3000cc, 3500cc - Diesel | | |
| | | GC20080 | Delta 2000 750 | 1200cc | | |
| | | GC70080 | Delta 2000 750 | 1200cc, 1300cc | | |
| | | GC10080 | Delta 2000 750 | 1300cc | | |
| | | GC10080 | Delta Tipper V30 | 2000cc | | |
| | | GC34010 | Delta Tipper V20 | 2500cc Diesel | | |
| | | GC01080 | Delta Tipper V10 | 3000cc Diesel | | |
| | | GC70080 | Delta Wide KB10, 11 | 1200cc, 1300cc | | |
| | | GC10080 | Delta Wide KB12 | 1300cc | | |
| | | GC10080 | Delta Wide KB 26V, YB26V, YB20G | 1300cc, 1600cc, 1800cc | | |
| | | GC70080 | Delta Wide TB10, 11 | 1600cc | | |
| | | GC10080 | Delta Wide TB15 | 1800cc | | |
| | | GC10080 | Delta Wide CB21G, 26V, YB21G | 1800cc, 2000cc | | |
| | | DAIHATSU | Hi-Jet | GC90080 | Hi-Jet 55 Cab S40, S60 | 550cc |
| | | | | GC90080 | Hi-Jet Cab S38, 38V, 40T, 40V | 360cc, 550cc |
| Light /Micro Bus | GC10080 | | Light Bus V32, 34 | 2000cc | | |
| | GC34010 | | Light Bus V22, 24 | 2500cc Diesel | | |
| | GC72080 | | Light Bus DV28N | 3000cc Diesel | | |
| GC01080 | Light Bus V12 | 3000cc Diesel | | | | |
| GC91080 | Micro Bus SV16N, 17N, 25N, 27N, 151N | 1500cc, 1600cc, 1900cc | | | | |
| FORD | Probe | GC21010 | Probe 2.0 | | | |
| | | GC21010 | Probe 2.5 | | | |
| | Econovan | GC21010 | Econovan 2.0 Diesel | | | |
| | Courier | GC41080 | Courier | 1600cc, 1800cc | | |
| | | GC21010 | Courier | 2000cc | | |
| | J80 | GC21010 | J80 | 2000cc, 2200cc | | |
| | Laser | GC91010 | Laser | 1300cc | | |
| | | GC91010 | Laser | 1500cc | | |
| GC21010 | | Laser | 1500cc Turbo | | | |
| GC61010 | | Laser | 1500cc, 1600cc | | | |



| | |  |  |  |
|----------|---------------|---|---|---|
| OE Maker | Clutch | Vehicle Model | Engine Type | |
| FORD | Laser | GC91010 | Laser | |
| | Spectro | GC21010 | Spectron | 1800cc, 2000cc |
| | Telstar/Virgo | GC21010 | Telstar/Virgo | 1600cc, 1800cc, 2000cc |
| DAEWOO | Lemans | GC80010 | Lemans | |
| | Labo/Damas | GC20010 | Labo/Damas | |
| | Tico/Matiz | GC23010 | Tico/Matiz | 800cc |
| | Cielo | GC80010 | Cielo | 1500cc |
| | Espero | GC80010 | Espero | 1500cc, 1600cc, 1800cc, 2000cc |
| HONDA | Accord | GC72010 | Accord SY | 1600cc |
| | | GC72010 | Accord CA4, CA5 | 1600cc, 2000cc & 2000cc PGM-FI |
| | | GC72010 | Accord SY, SZ | 1600cc, 1800cc |
| | | GC72010 | Accord AC, AD, CA1, CA2 | 1600cc, 1800cc |
| | | GC72010 | Accord E-AC100, E-AD100 | 1600cc, 1800cc |
| | | GC72010 | Accord E-SY110, E-SZ100, E-SY100, E-SZ120 | 1800cc |
| | | GC72010 | Accord E-CA1-100, E-CA1-106, E-CA1-120, E-CA2-100, E-CA2-106 | 1800cc |
| | Ballade | GC72010 | Ballade E-AS100, E-AS110, E-AS120 | 1600cc |
| | Civic | GC20010 | Civic EG1, EG2, EH6 | 1500cc, 1600cc |
| | | GC72010 | Civic E-AT, E-AU-110/120 | 1600cc |
| | CRX | GC72010 | CRX ED9 | 1600cc DOHC PGM-FI |
| | Prelude | GC72010 | Prelude E-AB 100/110/120 | 1800cc |
| | | GC72010 | Prelude AB, SN | 1800cc |
| | Quint | GC72010 | Quint E-SU100, E-SU110 | 1600cc |
| | | GC72010 | Quint E-DA1-100, E-DA2-100 | 1500cc, 1600cc |
| | | GC72010 | Quint/Quint Integra SU, AV | 1600cc |
| | Vigor/Accura | GC72010 | Vigour E-AC100, E-AD100 | 1600cc, 1800cc |
| | | GC72010 | Vigour E-CA1-100, E-CA1-106, E-CA1/E-CA2-100, E-CA2-106/120 | 1800cc |
| | | GC72010 | Vigour/Accura AC, AD, SZ, CA1/2/3 | 1800cc, 2000cc |

GMB CLUTCH RELEASE BEARING



| OE Maker | | Clutch | Vehicle Model | Engine Type |
|----------|------------------------------|----------------------|--------------------------|----------------------------------|
| HYUNDAI | Accent | GC18010 | Accent | 1500cc |
| | Scoupe | GC40010 | Scoupe | |
| | Pony | GC40010 | Pony 1 | |
| | | GC32010 | Pony 2 | 1400cc, 1500cc |
| | Elantra | GC40010 | Elantra | 1500cc, 1600cc |
| | Lantra | GC40010 | Lantra | 1500cc, 1600cc |
| | Grace | GC81010 | Grace | |
| | Grandeur | GC40010 | Grandeur | |
| | Stellar/Sonata | GC40010 | Sonata | 2000cc, 2400cc, 3000cc |
| | | GC40010 | Y-11 | |
| | H100/Porter - 1 ton Truck | GC81010 | H100 | |
| GC81010 | | Porter - 1 ton Truck | | |
| Atoz | GC55110 | Atoz | | |
| ISUZU | 117 | GC20080 | 117 Coupe PA, PAD | 1800cc, 2000cc, 2200cc |
| | Florian | GC20080 | Florian PA, PAD | 1600cc, 1800cc, 2000cc |
| | Gemini | GC20080 | Gemini PF50, PF60, PFD60 | 1600cc, 1800cc & Diesel |
| | Piazza | GC20080 | Piazza E-JR120, 130 | 2000cc |
| | | GC20080 | Piazza JR30 | 2000cc - XF, XJ, XG, XN |
| | | GC01010 | Piazza, XS JR30 | 2000cc - XS |
| | Trooper | GC31010 | Trooper UBS | |
| | | GC20080 | Trooper UBS13, UBS52 | 2000cc, 2200cc, 2300cc Diesel |
| | | GC20080 | Trooper UB16 | 2300cc 4WD |
| | | GC20080 | Trooper UBS SERIES | 2300cc & Diesel |
| | ELF | GC90010 | ELF P-NHR55, P-NKR57, 58 | 1.0-1.25t, 2.0-2.75t |
| | | GC90010 | ELF P-NHR54, P-NKR57 | 1.0, 1.25t, 2.0t |
| | | GC31010 | ELF NHS | 1.5t |
| | | GC82010 | ELF P-NPR57, P-NPR59 | 2.0 - 3.5t |
| | | GC41080 | ELF P-TLD26, 56, 66 | 2.0t |
| GC90010 | | ELF NPR57GVN | 2.0t | |
| GC90010 | | ELF NPR57GVN | 2.0t | |

CLUTCH RELEASE BEARING 2012




| | |  |  |  |
|----------|-------------------|---|---|---|
| OE Maker | Clutch | Vehicle Model | | Engine Type |
| ISUZU | ELF | GC41080 | ELF TLD | Diesel |
| | | GC82010 | ELF NPR58 | MSA5P, MAS5G TYPE - Diesel |
| | | GC20080 | ELF 150 KAD, KAG | 1600cc, 2000cc |
| | | GC41080 | ELF 150 KAD | 2400cc |
| | | GC90010 | ELF 150 NHR | 2500cc |
| | | GC90010 | ELF 150 NHR54 | Diesel |
| | | GC72080 | ELF 250 TLG, TLD | 2000cc, 2400cc, 2800cc |
| | | GC41080 | ELF 250 TLD, KT | 2400cc, 2800cc, 3300cc |
| | | GC90010 | ELF 250 NKR | 2800cc, 3300cc |
| | | GC90010 | ELF 250 NKR55, NKR57 | Diesel |
| | | GC72080 | ELF 350 KS11, 21, 31, 41 | 3600cc |
| | | GC51080 | ELF 350 KS12, 22, 32, 42 | 3900cc Diesel |
| | | GC90010 | ELF 350 NPR57, NPR59 | Diesel |
| | | GC84010 | ELF 350 (Manual Transmission) NPR57, 59 | MSA5P, MSA5S TYPE - Diesel |
| | | GC90010 | ELF 350 (Manual Transmission) NPR57, 59 | MSB5M TYPE - Diesel |
| | | GC82010 | ELF 350 (MSA Transmission) NPR | 3300cc, 3900cc |
| | | GC90010 | ELF 350 (MSB Transmission) NPR | 3600cc, 3900cc |
| | | Fargo | GC20080 | Fargo L-WFR10, 11, 51 |
| | GC20080 | | Fargo WFR SERIES | 1800cc, 2000cc & Diesel |
| | GC01010 | | Fargo WFR SERIES | 1800cc, 2000cc & Diesel |
| | GC20080 | | Fargo N-WFS51, N-WFS53, N-WFR53 | 2000cc |
| | GC20080 | | Fargo WFR12DV, 12FV, 12FVH | 2000cc |
| | GC31010 | | Fargo WFR, NFR, WFS, NFS62 | 2400cc |
| | Faster | GC20080 | Faster TFR, TFS SERIES | 1600cc & Diesel |
| | | GC20080 | Faster KB SERIES | 1600cc, 1800cc & Diesel |
| | | GC20080 | Faster KBG, KBD SERIES | 1600cc, 1800cc, 2000cc & Diesel |
| | | GC20080 | Faster N-KBD22, 42 | 1.0t |
| | | GC20080 | Faster KB SERIES | 2300cc, 1600cc, 2000cc & Diesel |
| | | GC01010 | Faster KB SERIES | 2300cc & Diesel |
| | | GC01010 | Faster TFR, TFS SERIES | 2300cc & Diesel |
| | light Bus /Trucks | GC20080 | Big Horn N-UBS52 | 2000cc |
| | | GC31010 | Big Horn UBS55 | 2800cc, 3100cc, 3200cc |
| | | GC31010 | Big Horn UBS69, UBS25 | 2800cc, 3100cc, 3200cc |
| | | GC01010 | Chevrolet Luv | 2300cc & Diesel |

GMB CLUTCH RELEASE BEARING



| OE Maker | | Clutch | Vehicle Model | Engine Type |
|----------------|----------------------|--------------|--|---|
| ISUZU | light Bus /Trucks | GC20080 | KB/LUV Pick ups (Chevrolet LUV) KB, KBG, KBD | 1600cc, 1800cc, 2000cc, 2200cc |
| | | GC72080 | Light Bus BLG22-24, BLD23-24, 30N | 2000cc, 2400cc, 2800cc |
| | | GC41080 | Light Bus BLD23-24, BL34, BLD35-36, BL35 | 2000cc,2400cc,2800cc,3300cc |
| | | GC90010 | Light Bus BL36-46 | 3300cc |
| | | GC72080 | Light Bus BE20 | 3600cc |
| | | GC51080 | Light Bus BE22 | 3900cc |
| | | GC20080 | Microbus WFR | 1800cc, 2000cc |
| | | GC31010 | MU UCS | 2500cc |
| | Rodeo/Faster | GC31010 | Rodeo TFS52 | 2200cc |
| | | GC01010 | Rodeo/Faster S-TFS52, U-TFS52 | 2200cc, 2200cc 4WD Diesel |
| | | GC31010 | Rodeo/Faster TFS55, TFR55 | 2700cc, 2800cc |
| | WFR | GC20080 | Van/Truck WFR10, 11, 50, 51V, 51W, 121, 122 | 1600cc, 1800cc, 2000cc, 2200cc |
| | | GC01010 | WFR/WFS series - Van/Truck | 2000cc, 2200cc |
| | KIA | Avella/Pride | GC11010 | Avella B3/Pride |
| Concord | | GC61010 | Concord F8 | 1800cc, 2000cc |
| Capital | | GC61010 | Capital B5 | 1500cc, 1800cc |
| Sephia | | GC61010 | Sephia | 1800cc, 2000cc |
| Potentia | | GC61010 | Potentia | 2000cc, 2200cc, 3000cc |
| Morning | | GC55110 | Morning | |
| Sportage | | GC61010 | Sportage | 2000cc, 2200cc |
| Bongo/Frontier | | GC61010 | Bongo/Frontier | |
| MAZDA | 121/Cosmo | GC11010 | 121 DA13, BF10 | 1100cc, 1300cc |
| | | GC11010 | 121 DB, DC series | 1300cc |
| | | GC41080 | 121, 121L/Cosmo CD2VC | 1800cc |
| | | GC21010 | 121, 121L/Cosmo CD2VC | 1800cc |
| | | GC21010 | 121, 121L/Cosmo HBPH8 | 1800cc |
| | | GC41080 | 121, 121L/Cosmo CD3MC | 2000cc |
| | | GC21010 | 121, 121L/Cosmo CD3MC | 2000cc |
| | | GC21010 | 121, 121L/Cosmo HBPHE, HBSHE, HBEP, EBES | 2000cc |
| | 323 | GC91010 | 323 | 1100cc, 1300cc, 1500cc |
| | | GC22010 | 323 BG | 1300cc, 1600cc, 1700cc, 1800cc |
| | | GC22010 | 323 B3, B6, BP | 1300cc, 1600cc, 1800cc & 1800cc DOHC, Diesel |
| | | GC22010 | 323 BW | 1500cc, 1600cc, 1700cc 2WD Gasoline, Diesel |

CLUTCH RELEASE BEARING 2012

| | |  |  |  |
|----------|---------|---|---|---|
| OE Maker | | Clutch | Vehicle Model | Engine Type |
| MAZDA | 323 | GC91010 | 323 B6 | 1600cc |
| | | GC61010 | 323 B6 | 1600cc DOHC Turbo 2WD ECE |
| | | G61010 | 323 BP, BG | 1800cc,1800cc DOHC Turbo 4WD |
| | | GC22010 | 323 BG | 2WD Diesel 1300cc, 1600cc, 1700cc, 1800cc |
| | | GC22010 | 323 BW | 2WD Gasoline 1500cc, 1600cc, 1700cc |
| | | GC22010 | 323 BG | 2WD Gasoline 1300cc, 1600cc, 1700cc, 1800cc |
| | | GC22010 | 323 BG | DOHC Gasoline 1300cc, 1600cc, 1700cc, 1800cc |
| | | GC61010 | 323 (GLC) Turbo/Familia BFMR (DOHC) | 1600cc 4WD |
| | | GC91010 | 323(GLC)/Familia FA3PS, 4PS, 5PS, 4TS, 4TV, 5TV, 6TM, 6TS | 1000cc, 1300cc, 1400cc |
| | | GC61010 | 323 (GLC)/Familia BF5R, BFSR | 1500cc 4WD |
| | | GC91010 | 323 (GLC)/Familia BF5P | 1500cc EGI engine |
| | | GC91010 | 323 (GLC)/Familia BD1051, BF5P, BFSP; BD1011, 1031:BF3P, 3V; BFTP (OHC) | 1500cc, 1100cc, 1300cc |
| | | GC61010 | 323 (GLC)/Familia BFMP (DOHC) | 1600cc |
| | | GC91010 | 323 (GLC)/Familia BFMP (OHC) | 1600cc |
| | | GC61010 | 323 (GLC)/Familia BFMR (OHC) | 1600cc 4WD |
| | | GC21010 | 323 (GLC)/Familia E-BFMR, BFMRF | 1600cc 4WD Gasoline |
| | GC91010 | 323 (GLC)/Familia BF7P, BF7V | 1700cc | |
| | GC91010 | 323 (GLC)/Familia Station Wagon BF5W | 1500cc EGI | |
| | GC61010 | 323 (GLC)/Familia Turbo BFMP (DOHC) | 1600cc | |
| | GC41080 | 616, 626/Capella SN, SU2A, SNA, BSNA | 1500cc, 1600cc | |
| | GC21010 | 616, 626/Capella GC6P | 1600cc FWD | |
| | GC61010 | 616, 626/Capella GC6P | 1600cc FWD | |
| | GC41080 | 616, 626/Capella SV2A, CB1VS | 1800cc | |
| | GC61010 | 616, 626/Capella GC8P(EFI) | 1800cc FWD | |
| | GC61010 | 616, 626/Capella GC8P | 1800cc FWD /GBX:4 | |
| | GC21010 | 616, 626/Capella GC8P | 1800cc FWD /GBX:5 | |
| | GC21010 | 616, 626/Capella CB2MS, CB2MH | 2000cc | |
| | | 616, 626 /Capella | | |

GMB CLUTCH RELEASE BEARING



| OE Maker | Clutch | Vehicle Model | Engine Type | |
|----------|----------------------------|---|--|--|
| MAZDA | 616, 626 /Capella | GC21010 | 616, 626/Capella GCEP | 2000cc FWD |
| | | GC61010 | 616, 626/Capella GCEP | 2000cc FWD Turbo |
| | | GC21010 | 626 F6, F8, FE | 1600cc, 1800cc, 2000cc |
| | | GC61010 | 626 F6, F8, FE | 1600cc, 1800cc, 2000cc |
| | | GC21010 | 626 GD, GD1 | 1600cc, 1800cc, 2000cc, 2200cc |
| | | GC21010 | 626 F6, F8, FE | 1600cc, 1800cc, 2000cc, 2200cc & Diesel |
| | | GC21010 | 626 F6, F8, FE, F2, RF | 1600cc, 1800cc, 2000cc, 2200cc & Diesel |
| | | GC21010 | 626 RF | Diesel |
| | | GC61010 | 626 RF | Diesel |
| | | GC21010 | 626/Capella GD1 | 1600cc, 1800cc, 2000cc, 2200cc |
| | 808, 818 /Grand Familia | GC70080 | 808, 818/Grand Familia STC, STCV | 1300cc |
| | | GC41080 | 808, 818/Grand Familia SN3, SN4 | 1600cc |
| | 929 | GC21010 | 929 MA | 2000cc |
| | | GC21010 | 929 FE | 2000cc |
| | | GC61010 | 929 FE, F2 | 2000cc, 2200 |
| | | GC21010 | 929L MA | 2000cc |
| | | GC41080 | 929, 929L/Luce SVA, SVAV:LA2VS, 3VS | 1500cc, 1800cc |
| | | GC21010 | 929, 929L/Luce 2VV | 1800cc |
| | | GC841080 | 929, 929L/Luce 2VV | 1800cc |
| | | GC41080 | 929, 929L/Luce LA4VS, VV:LA4MS, MV | 1800cc, 2000cc |
| | | GC210 10 | 929, 929L/Luce LA4VS, VV:LA4MS, MC, LA7MV, HBPH8, HBPHE | 1800cc, 2000cc |
| | | GC21010 | 929, 929L/Luce HBEP, HBES | 2000cc |
| | | GC61010 | 929, 929L/Luce HCEP | 2000cc |
| GC21010 | | 929, 929L/Luce LA4SS | 2200cc | |
| GC21010 | | 929, 929L/Luce HBPS2 | 2200cc | |
| Capella | GC21010 | Capella GD6P | 1600cc | |
| | GC21010 | Capella E-GV6V, E-GD8S, E-GD8P, GD8PF, E-GDES | 1600cc, 1800cc, 2000cc | |
| | GC21010 | Capella GD8A, GD8B | 1800cc | |
| | GC21010 | Capella GDEA, GDEB | 2000cc | |
| | GC21010 | Capella Telstar E-GDEP, GDEPF | 2000cc | |
| Cosmo | GC21010 | Cosmo E-HBES, E-HBEP | 2000cc | |
| | GC21010 | Cosmo N-HBPS2 | 2200cc | |






| | |  |  |  |
|----------|---|---|---|---|
| OE Maker | | Clutch | Vehicle Model | Engine Type |
| MAZDA | D1500 | GC72080 | D1500/Craft DUC9 | 1500cc |
| | Etude | GC70080 | F1000 FPAV, FPAH | 1000cc |
| | Familia | GC22010 | Familia BG5P, BG5S; BG3P, BG3S | 1300cc, 1500cc |
| | | GC91010 | Familia E-BD1031, E-BD1051 | 1300cc, 1500cc |
| | | GC21010 | Familia E-BFMR, E-BFMRF | 1600cc |
| | | GC21010 | Familia E-BFMR, BFMRF | 1600cc 4WD Gasoline |
| | | GC61010 | Familia BG6R, BG6Z; BG8R, BG8Z | 1600cc, 1800cc |
| | | GC22010 | Familia BW7W | 1700cc |
| | | Festival/Laser /Luce/MX5 | GC22010 | Festival E-DA1PF, E-DA3PF, E-DAJPF |
| | GC22010 | | Laser BG3PF | 1300cc |
| | GC91010 | | Laser E-BE5PF | 1500cc |
| | GC21010 | | Laser E-BFMR, E-BFMRF | 1600cc |
| | GC61010 | | Laser BG8RF | 1800cc |
| | GC21010 | | Luce E-HBES, E-HBEP, L-LA4MV; N-HBPS2 | 2000cc |
| | GC61010 | | Luce E-HCEP | 2000cc |
| | Parkway | GC72080 | Parkway/26 AEVB43;EVB43;TA3H4F | 2000cc, 2700cc, 3000cc |
| | | GC41080 | Parkway/26 TA3H4F | 3000cc |
| | | GC21010 | Parkway/26 WVLSF, WWF4B | 3000cc |
| | | GC61010 | Parkway/26 WWL4B | 3500cc |
| | RX/Savanna | GC41080 | RX 2, RX 3, RX 4, RX 5/Savanna/Cosmo S102A | 1150cc, 1300cc |
| | | GC21010 | RX 4, RX 7 LA42S, LA52S, SA22C | 1150cc |
| | | GC21010 | RX 5/Cosmo HBSN2 | 1150cc |
| | | GC41080 | RX 5/Cosmo CD23C, CD73C, CD83C | 1300cc |
| | | GC21010 | RX 5/Cosmo CD23C, CD73C, CD83C | 1300cc |
| | | GC21010 | RX 7/Savanna SA22C | 1150cc |
| | | GC61010 | RX 7/Savanna FC3S | 1300cc |
| | | GC61010 | RX 7/Savanna FC3C, FC3S | 654cc x 2 |
| | | GC61010 | RX 7/Savanna FC42, FC56 | 654cc x 2 |
| | | GC21010 | Savanna E-SA22C | 573cc x 2 |
| | GC21010 | Savanna E-FC3S | 654cc x 2 | |
| | B Series Pick Up /Proceed /Courier | GC41080 | B Series Pick Up/Proceed/Courier BNA61, BTA67 | 1300cc, 1600cc |
| | | GC21010 | B Series Pick Up/Proceed/Courier PE2N,PE2V | 1600cc, 1800cc, 2000cc |
| GC21010 | | B Series Pick Up/Proceed/Courier JM2UC, UD | 2000cc, 2200cc | |
| GC21010 | | B1600 UDX061, UDY061 | 1600cc | |
| GC41080 | | B1600, B1800 NA, NC | 1600cc, 1800cc | |

GMB CLUTCH RELEASE BEARING



| OE Maker | Clutch | Vehicle Model | Engine Type | |
|----------|---|---------------|--|--|
| MAZDA | B Series Pick Up /Proceed /Courier | GC21010 | B1600, B1800 NA, NC | 1600cc, 1800cc |
| | | GC21010 | B1600, B1800, B2000, B2200 NA, VC, MA, S2 | 1600cc, 1800cc, 2000cc, 2200cc&Diesel |
| | | GC21010 | B1600, B1800, B2000 UDX, UDY, UDY0E1, UD1Y,UDX, UDY | 1800cc, 2000cc, Diesel |
| | | GC21010 | B1600, B2000 UF | 1600cc, 2000cc (EKCBept EGI) |
| | Bongo | GC61010 | B2600 AM | 2600cc |
| | | GC21010 | Bongo E-SS88W | 1800cc |
| | | GC21010 | Bongo E-SS88R | 1800cc |
| | | GC21010 | Bongo N-SRF9W | 2000cc |
| | | GC21010 | Bongo SSE8R, SSF8R | 2000cc |
| | | GC21010 | Bongo E-SRE9W, M-SREAV, N-SR29V, N-SR2AV | 2000cc, 2200cc |
| | | GC21010 | Bongo SD29M | 2200cc |
| | | GC21010 | Bongo SE28M | 2200cc |
| | E Series /Boxer/Bongo /Titan | GC61010 | Bongo Brawny E-SRE9W | 2000cc |
| | | GC21010 | E Series/Boxer/Bongo/Titan E-SS88R | 1800cc 4WD Gasoline |
| | | GC21010 | E Series/Boxer/Bongo/Titan SD89T | 1800cc (Single wheel) |
| | | GC21010 | E Series/Boxer/Bongo/Titan SS88W, SR89V | 1800cc, 2000cc, 2200cc (Single wheel) |
| | | GC72080 | E Series/Boxer/Bongo/Titan EVB12, 13, 43 | 2000cc |
| | | GC21010 | E Series/Boxer/Bongo/Titan BA2S8, BA2S9 | 2000cc |
| | | GC21010 | E Series/Boxer/Bongo/Titan SRE9W, SREAM, SEF8T, SSF8V, SRF9W | 2000cc |
| | | GC61010 | E Series/Boxer/Bongo/Titan E-SRE9W | 2000cc |
| | | GC61010 | E Series/Boxer/Bongo/Titan SSE8W | 2000cc |
| | | GC21010 | E Series/Boxer/Bongo/Titan N-SSE8R;Q-SS28M/R, N-SSF8T/V,W,E-SE/SS88 | 2000cc, 1800cc 4WD Gasoline |
| | | GC21010 | E Series/Boxer/Bongo/Titan SREAV, SDEAT | 2000cc (Single wheel) |
| | | GC21010 | E Series/Boxer/Bongo/Titan SR2AV, 29V | 2200cc |
| | | GC61010 | E Series/Boxer/Bongo/Titan N-WE5AT; N-WEF4C, WEF4T | 2500cc, 3000cc |
| | | GC72080 | E Series/Boxer/Bongo/Titan EKCB12, 13, 43 | 2700cc, 3000cc |
| | | GC41080 | E Series/Boxer/Bongo/Titan TA3H1, H4 | 3000cc |
| | | GC610 10 | E Series/Boxer/Bongo/Titan P-WEL4C, WEL4T, WEL7T, WELAE, WELAT | 3500cc EKCBept Turbo |

| | |  |  |  |
|----------|------------------------------------|---|---|---|
| OE Maker | Clutch | Vehicle Model | Engine Type | |
| MAZDA | E Series /Boxer/Bongo /Titan | GC31080 | E Series/Boxer/Bongo/Titan EZA14, 45, 75 | 4100cc |
| | | GC61010 | E1800 F8 | 1800cc |
| | | GC21010 | E1800 F8 | 1800cc Van & Wagon |
| | | GC72080 | E2000 VA | 2000cc |
| | | GC41080 | E2000 VA | 2000cc |
| | | GC61010 | E2000 FE | 2000cc/GBX:4 |
| | | GC21010 | E2000 FE | 2000cc/GBX:5 |
| | | GC21010 | E2000, E2200 FE, R2 | 2000cc & Diesel |
| | | GC21010 | E2200 SE28M | 2200cc |
| | | GC21010 | E2200 S2 | Diesel |
| | | GC21010 | E2200 R2 | Diesel |
| | | GC72080 | E2700, E3000 XB, HA | Diesel |
| | | GC41080 | E2700, E3000 XB, HA | Diesel |
| | | Persona /Pickup /Presto | GC21010 | Persona E-MA8P, E-MAEP |
| | GC70080 | | Pickup/Familia Truck BPB55:BPC55:BTA55, 65:fa2t55, 65 | 1000cc, 1200cc, 1300cc |
| | GC70080 | | Presto FA3 | 1000cc, 1300cc |
| | T Series | GC21010 | T Series WEW051, WEWOF1 & 2:D:WEXOF1 & 2:WEYOF1& 2 | 2500cc, 3000cc |
| | | GC61010 | T Series WE5AT, WEFAT:WEF4C/4T:WELAT WEL4T, 4H | 2500cc, 3000cc, 3500cc |
| | | GC31080 | T Series WEX011:WEY011:WEZ011 | 4100cc |
| | | GC21010 | T2000 VA | 2000cc |
| | | GC21010 | T2000 WEEAT, WEE4T | 2000cc |
| | | GC61010 | T2500, T3000, T3500 XA, HA, SL | Diesel |
| | | GC61010 | T2600 AM | 2600cc |
| | | GC21010 | T3000 HA | Diesel |
| | | GC31080 | T3500 SL | Diesel Turbo |
| | | GC31080 | T4100 ZB | Diesel |
| | | GC61010 | Titan N-WE5AT | 1.5t |
| | | GC61010 | Titan N-WEF4T, AT, AF, AY, AD | 2.0 - 3.0t |
| | | GC61010 | Titan P-WEL4C, 4T, AF, AD, AT | 2.0 - 3.0t |
| | | GC61010 | Titan N-WEFAT, N-WE5AT | 2.0t, 1.5t |
| | | GC61010 | Titan WGFAD; WGLAD, WGL4H; WG5AT | 3000cc, 3500cc, 2500cc |
| | | GC31080 | Titan N-WE17T, N-WE11D | 3.5 - 4.0t |
| | GC31080 | Titan P-WEL7T | 4.0t | |

GMB CLUTCH RELEASE BEARING



| OE Maker | Clutch | Vehicle Model | Engine Type | |
|------------|----------------------|-------------------------|---|--|
| MITSUBISHI | Chariot /Space Wagon | GC40010 | Chariot E-D09W, E-D05W, E-D08W | 1800cc, 2000cc |
| | | GC40010 | Space Wagon/Chariot D02/03/14/05/08/09W | 1600cc,1800cc,2000cc,4WD |
| | | GC40010 | Space Wagon N31W, N33W | 1800cc, 2000cc |
| | Colt | GC40010 | Colt C11A, 12A, 13A, 14A, 15A | 1200cc, 1300cc, 1500cc, 1600cc, Turbo & Diesel |
| | | GC40010 | Colt A151, A155, A152, A156 | 1200cc, 1400cc |
| | | GC40010 | Colt C51A, 51V, 52A, 53A, 54A, C58A | 1300cc, 1500cc, 1600cc, 1800cc DOHC & Diesel |
| | | GC81080 | Colt/Delica T120 | 1600cc |
| | | GC81080 | Colt/Mirage T | 1400cc |
| | | GC40010 | Colt/Mirage/Mirage II A. . . C. . . | 1200cc,1300cc,1400cc,1500cc 1600cc, 1800cc |
| | | GC40010 | Colt/Lancer C51, 52, 53, 54/58/61, 62, 63, 64, 65, 66, 67, 68, 69/76/77 | 1200cc,1300cc,1400cc,1500cc 1600cc, 1800cc |
| | | GC40010 | Colt/Lancer C51, 52, 53, 54/58/61, 62, 63, 64, 65, 66, 67, 68, 69/76/77 | 1200cc,1300cc,1400cc,1500cc 1600cc, 1800cc |
| | Cordia | GC40010 | Cordia E-A211A, E-A212A, E-A213A | 1400cc, 1600cc, 1800cc |
| | | GC40010 | Cordia A212A | 1600cc |
| | | GC40010 | Cordia/Tredia A;NF24S, 41 | 1400cc, 1600cc, 1800cc |
| | Eclipse | GC40010 | Eclipse D32A, D33A | 2000cc |
| | | GC40010 | Eclipse D21A, D22A, D27A | 1800cc, 2000cc 4WD |
| | Eterna /Diamante | GC40010 | Diamante F11A, 13A | 2000cc, 2500cc |
| | | GC40010 | Eterna E32A, 35A, E39A | 1800cc, 2000cc |
| | | GC40010 | Eterna Sigma E-E12/13/14/15/17A | 1800cc, 2000cc |
| | | GC32010 | Eterna Sigma/Lambda E-A162A, E-A164A | 1800cc, 2000cc |
| | Forte | GC32010 | Forte L-L026G | 2000cc |
| | Galant | GC20080 | Galant A51...,52...,53...,54...,55, 61, 62, 63, 112 | 1300cc,1400cc,1500cc,1600cc |
| | | GC20080 | Galant A121 | 1600cc |
| | | GC40010 | Galant E11A,E12A,E15A,E14A,E31A,E32A, E33A,E34 | 1600cc, 1800cc, 2000cc & Diesel Turbo |
| | | GC41080 | Galant A114, 115, 57C | 1600cc, 1850cc, 2000cc |
| | | GC40010 | Galant E32AR, E32/37/52/54/55/57/64/75/88A | 1800cc, 2000cc, 2500cc |
| | | GC41080 | Galant A123 | 2000cc |
| GC32010 | | Galant A163 | 2000cc | |
| GC40010 | | Galant E16A | 2400cc | |
| GC40010 | | Galant E38A, E39A, R39A | 2000cc 4WD | |
| GC40010 | | Galant E38A, E39A | 2000cc 4WD | |




| | |  |  |  |
|-------------------|---------|---|---|---|
| OE Maker | | Clutch | Vehicle Model | Engine Type |
| MITSUBISHI | Galant | GC20080 | Galant Sigma A121 | 1600cc |
| | | GC40010 | Galant Sigma F16A | 3000cc |
| | | GC40010 | Galant Sigma E-E11/12/13/14A/14AR, N-E14A | 1600cc, 1800cc |
| | | GC41080 | Galant Sigma A123 | 2000cc |
| | | GC40010 | Galant Sigma E-E15A, E-E17A | 2000cc |
| | | GC32010 | Galant Sigma/Lambda E-A162A, E-A164A | 1800cc, 2000cc |
| | | GC40010 | Galant Sigma/Lambda/Eterna Sigma/Sapporo E11/12/14/15/17A, E31/32/34A | 1600cc, 1800cc, 2000cc FWD |
| | | GC20080 | Galant Sigma/Lambda/Eterna Sigma/Sapporo A121/131 | 1600cc |
| | | GC32010 | Galant Sigma/Lambda/Eterna Sigma/Sapporo A162 | 1800cc Turbo |
| | | GC41080 | Galant Sigma/Lambda/Eterna Sigma/Sapporo A122/3/132/133 | 1850cc, 2000cc |
| | | GC32010 | Galant Sigma/Lambda/Eterna Sigma/Sapporo A163/4/7 | 2000cc, 2300cc, 2600cc |
| | | GC32010 | Sapporo A163, A164, A167A | 2000cc, 2300cc, 2600cc |
| | Jeep | GC81080 | Jeep J3, 30, 32 | 2000cc, 2300cc, 2400cc, 2600cc, 2700cc |
| | | GC701080 | Jeep J24, 36, 44, 54 | 2000cc, 2300cc, 2400cc, 2600cc, 2700cc |
| | | GC22080 | Jeep J20, 22, 25, 26, 28, 34, 42, 52, 58 | 2000cc, 2300cc, 2400cc, 2600cc, 2700cc |
| | | GC81080 | Jeep J36, 38, 54, 55 | 2000cc, 2300cc, 2400cc, 2600cc, 2700cc |
| | | GC22080 | Jeep J24, 36, 38, 44, 46, 54, 55, 56 | 2000cc, 2300cc, 2400cc, 2600cc, 2700cc |
| | | GC81080 | Jeep J26, 58 | 2000cc, 2300cc, 2400cc, 2600cc, 2700cc |
| | | GC01080 | Jeep J24, 24H, 26, 36, 38, 44, 46, 54, 56, 58 | 2000cc, 2300cc, 2400cc, 2600cc, 2700cc |
| | | GC22080 | Jeep J27, 36R, 37, 47, 54B2, 59 | 2000cc, 2300cc, 2400cc, 2600cc, 2700cc |
| GC22080 | | Jeep L-J59, L-J57 | 2000cc, 2600cc | |
| GC22080 | | Jeep N-J54 | 2700cc | |
| Lancer | GC40010 | Lancer C15A, C11A, C12A, C13A, C14A | 1200cc, 1300cc, 1500cc, 1600cc | |

GMB CLUTCH RELEASE BEARING



| OE Maker | Clutch | Vehicle Model | Engine Type | | |
|------------|--------|-------------------------------|---|---|-----------------------------|
| MITSUBISHI | Lancer | GC20080 | Lancer A75 | | |
| | | GC20080 | Lancer A72 | 1200cc, 1400cc | |
| | | GC40010 | Lancer C61/62/63/64/65/66/67/68/76/77A | 1200cc,1300cc,1500cc,1600cc 1800cc, 2000cc | |
| | | GC40010 | Lancer C61A, 62A | 1300cc, 1500cc | |
| | | GC40010 | Lancer C12V, C14V | 1500cc & Diesel Station Wagon | |
| | | GC40010 | Lancer C77A | 1800cc 4WD | |
| | | GC40010 | Lancer C37V | 1800cc 4WD | |
| | | GC40010 | Lancer C64A | DOHC Diesel | |
| | | GC40010 | Lancer C37V | Station Wagon | |
| | | GC40010 | Lancer Flore All Models | 1200cc,1300cc,1400cc,1500cc, 1800cc | |
| | | GC40010 | Lancer Flore C11V | 1300cc | |
| | | GC40010 | Lancer Flore C12V, 12W | 1500cc | |
| | | GC40010 | Lancer Flore N-C14A | 1800cc | |
| | | GC40010 | Lancer Flore C14V, 14W | 1800cc | |
| | | GC40010 | Lancer-F A155, A156, A158 | 1200cc, 1400cc | |
| | | GC40010 | Lancer-S/Wagon C37V | 1800cc 4WD | |
| | | GC20080 | Lancer/Lancer Celeste A71, 75, 141, 142, 72VE, 72VJ, 143 | 1200cc, 1400cc | |
| | | GC20080 | Lancer/Lancer Celeste A174A | 1400cc/GBX:4 | |
| | | GC20080 | Lancer/Lancer Celeste A172A | 1400cc/GBX:4 | |
| | | GC20080 | Lancer/Lancer Celeste A73, A77, A144A | 1600cc | |
| | | GC32010 | Lancer/Lancer Celeste A175A | 1600cc Turbo | |
| | | GC41080 | Lancer/Lancer Celeste A78M | 2000cc | |
| | | GC32010 | Lancer/Lancer Celeste A146A, A176A | 2000cc | |
| | | Minica | GC90080 | Minica A | 360cc, 500cc, 550cc - RWD |
| | | | GC90080 | Minica E-A107A, E-A107V, M-A107V | 550cc |
| | | | GC90080 | Minica Van, Cab, Pick Up | 360cc, 500cc, 550cc |
| | | Mirage | GC40010 | Mirage C51-3/61-3A, C11/2/14V/W, C34/37W, E-C11/2/4A, CA2/5A, CB2/5A | 1300cc,1500cc,1600cc, 800cc |
| | | Pajero /Montero /Shogun | GC30010 | Pajero/Montero L146GW | 3000cc |
| | | | GC32010 | Pajero E-L041GW, E-L046GW, L-L041GW | 2000cc, 2300cc |
| | | | GC81010 | Pajero L049GV, L044G | 2500cc |
| | | | GC30010 | Pajero L141G, 141GW, 146GW | 3000cc |

CLUTCH RELEASE BEARING 2012

| | |  |  |  |
|------------|-------------------------|---|---|---|
| OE Maker | Clutch | Vehicle Model | Engine Type | |
| MITSUBISHI | Pajero /Montero /Shogun | GC20080 | Pajero | V6 4x4 leisure |
| | | GC30010 | Pajero/Montero L146GW | 3000cc |
| | | GC32010 | Pajero/Montero L034G,L043GV/48GV/GW, L042G/GV, L047GV/GW | Diesel, 2600cc |
| | | GC81010 | Pajero/Montero L044G/GV,L049GV/GW,L042G/GV, L047GV/GW | Diesel, 2600cc |
| | | GC32010 | Pajero/Montero/Shogun L041/42GN/GW, L043G/GW, LO47, LO48G | 2000cc, 2300cc, 2600cc |
| | | GC81010 | Pajero/Montero/ShogunL041G,L044G,L046G,L049G | 2000cc, 2500cc |
| | | GC81010 | Pajero V24G, V24W, V44W | 2500cc |
| | | GC30010 | Pajero V23C, V23W, V43W | 3000cc |
| | | GC32010 | Pajero V21, V41 | 2400cc |
| | Starion | GC32010 | Starion A | 2000cc |
| | | GC81010 | Starion A187A | 2600cc |
| | | GC32010 | Starion A183A | 2000cc |
| | Space Runner | GC40010 | Space Runner N11W, N18W, N21W | 1800cc, 2000cc |
| | Tredia | GC40010 | Tredia E-A211/2A, A211/3/4/5A, A215/7G/A | 1400cc,1600cc,1800cc,Turbo, 1500cc, 2000cc |
| | Canter | GC20080 | Canter | 3300cc Diesel Truck |
| | | GC30010 | Canter N-FB120BW, N-FB120B, N-FB100B | 1.0, 1.5t |
| | | GC30010 | Canter N-FB300 | 1.5 Ton |
| | | GC30010 | Canter P-FG335, 435 | 2 - 3 Ton - 4WD Diesel |
| | | GC72080 | Canter T91, 95, 204, 214 | 2000cc |
| | | GC22080 | Canter T96, 98, 200, 205, 206, 207, 210, 215, 215ZH, 216, 217, 220 | 2000cc,2300cc,2400cc,2700cc |
| | | GC22080 | Canter FC201, 211 | 2400cc |
| | | GC30010 | Canter FE100, 120, FB100, 120 | 2700cc |
| | | GC30010 | Canter FB300A, 300B, FE300B, 300BP | 2700cc |
| | | GC30010 | Canter FE100, 101, 111, 114, 120, 121, 124, 131, 134, 214 | 2700cc, 3300cc |
| | | GC30010 | Canter FE221, 223, 224, 234, FB100, 120, FE211 | 2700cc, 3300cc |
| | | GC30010 | Canter P-FG335, P-FG435 | 2.0 - 3.0t |
| | | GC30010 | Canter P-FE1/2/3/4 series | 2.0 -3.0t, 1.5t |
| | | GC30010 | Canter FE301B, 301BD | 3300cc |
| | | GC30010 | Canter FE434C, 434E | 3300cc |
| | GC30010 | Canter FE315BD, FB308A, FB308B | 3300cc, 2800cc | |

GMB CLUTCH RELEASE BEARING



| OE Maker | Clutch | Vehicle Model | Engine Type | | |
|------------|-----------------------|------------------------------|---|---|-----------------|
| MITSUBISHI | Canter | GC30010 | Canter FE301B,301BD ;FE305B,305BD,FE315BD,315BN | 3300cc, 3600cc | |
| | | GC30010 | Canter FE434C,434E,FE437E,437EV,437F,447C,447E,447EV | 3300cc, 4200cc | |
| | | GC30010 | Canter F3325BV,325E,325EV,435C,435E,435ED | 3600cc | |
| | | GC30010 | Canter FE305B, 305BD, FE315BD, 315BN | 3600cc | |
| | | GC30010 | Canter F3325BV, 325E, 325EV, 435C, 435E, 435ED; FB300A, 300B, FE300B, 300BP | 3600cc, 2700cc | |
| | | GC74010 | Canter FE439E, 439EV, 439F, 449C, 449E, 449F | 900cc | |
| | | GC30010 | Canter P-FE214FZ,P-FE214EZ,P-FE214EZZ | 3.0t, 3.5t | |
| | | GC30010 | Canter FE437E, 437EV, 437F, 447E, 447EV | 4200cc | |
| | | GC30010 | Canter FE317BD, 317BN | 4200cc | |
| | | GC30010 | Canter Cargo FC432,FC312,332,432,FC332,FC312 | 2600cc | |
| | | GC30010 | Canter Cargo FC312, 332, 432; FB300, 433, 436, FE421, 431, 424, 434, 444 | 32600cc, Diesel | |
| | | GC01080 | Canter Cargo FE211 | Diesel | |
| | | GC30010 | Canter Cargo FE211 | Diesel | |
| | | GC30010 | Canter Cargo FE421, 431, 4424, 434, 444 | Diesel | |
| | | GC30010 | Canter Cargo FB300, 433, 436 | Diesel | |
| | | GC30010 | Canter Cargo FE301, 304, 311, 314, 331, 334, 421, 424, 431, 434, 436, 444 | Diesel | |
| | | Delica | GC32010 | Delica E-L035PW | 1800cc |
| | | | GC32010 | Delica P03W | 2000cc |
| | | | GC32010 | Delica N-L038GV, 38P/GW/PV/PW,68PV/PW/68P, L-L037GV, E-LO37GW | 2000cc, 2300cc |
| | | | GC32010 | Delica P24W | 2400cc |
| | | | GC81010 | Delica L039P, P25W | 2500cc |
| | | | L200/L300 /Delica | GC20080 | L200 L021P |
| | | GC32010 | | L200 L022P, L022G | 2000cc |
| | | GC32010 | | L200 K02T, K12T, K22T, K32T, K15T, K35T | 2000cc, 2400cc |
| | | GC32010 | | L200 L026P, L026G, L028P, L028G | 2000cc & Diesel |
| | | GC32010 | | L200 L..P, L..G | 2000cc, 2300cc |
| | | GC81010 | | L200 K03T, K24T, K34T | Diesel 4WD |
| | | GC32010 | | L200 K04T | Diesel LHD |
| GC81010 | L200 K04T | Diesel LHD | | | |
| GC81010 | L200 K13T, K14T, K24T | 2500cc,2600cc,Diesel 4WD LHD | | | |

| | |  |  |  |
|------------|----------------------|--|---|---|
| OE Maker | | Clutch | Vehicle Model | Engine Type |
| MITSUBISHI | L200/L300 /Delica | GC32010 | L200 K14T, K24T | Diesel Pick-up LHD, Diesel(4WD)LHD |
| | | GC81010 | L200 K04T, K24T, K14T, K34T | Diesel RHD(4WD), EKCBept Pick-up LHD |
| | | GC32010 | L300 P03W, P23W | 2000cc |
| | | GC32010 | L300 L037G | 2000cc 4WD |
| | | GC81010 | L300 P05V, P05W, P15V, P15W, P25V, P25W, P45V | 2500cc Diesel |
| | | GC81080 | L300 Minibus/Colt Minibus T120 | 1400cc |
| | | GC20080 | L300 Minibus/Colt Minibus L031PW, L032PW | 1400cc, 1600cc |
| | | GC32010 | L300 Minibus/Colt Minibus L038PW, L068PW | 1800cc, 2300cc |
| | | GC20080 | L300/Delica L031P | 1400cc |
| | | GC32010 | L300/Delica L036P | 1400cc |
| | | GC32010 | L300/Delica LO32P, LO34P, LO33PWE, O33WUNU | 1400cc, 1600cc |
| | | GC32010 | L300/Delica LO37G, LO38G, P03W, P23V, P23W, LO38P, L068P, L068PW | 2000cc, 2300cc |
| | GC81010 | L300/Delica LO39P, P05V, P15V, P15W, P05W, P25V, P25W | 2300cc, 2500cc | |
| | Mini Cab | GC90080 | Mini Cab M-L015PV, M-L015P | 550cc |
| | Rosa Bus | GC30010 | Rosa BE434F, 435F | 3300cc, 3600cc |
| | | GC22080 | Rosa Bus B207 | 2400cc |
| | | GC32010 | Rosa Bus BC212 | 2600cc |
| | | GC22080 | Rosa Bus B200, 210, 215 | 2700cc |
| | | GC30010 | Rosa Bus BE201D, 211D | 3300cc |
| | | GC01080 | Rosa Bus BE201, 201D, 211, 211D | 3300cc |
| GC30010 | | Rosa Bus BE211, BH214F | 3300cc | |
| GC22080 | | Rosa Bus B360 | 4000cc | |
| GC71080 | | Rosa Bus BH212, 212F | 4000cc | |
| NISSAN | GC60080 | 120Y, 130Y, 140Y, 150Y All Models | 1200cc, 1300cc, 1400cc, 1500cc | |
| | GC60080 | 140B, 160B, 180B, 200B All Models | 1400cc, 1600cc, 1800cc, 2000cc | |
| | GC60080 | 160K, 180K C, BC, HC, KC, PC, VC, KBC, KHC, KPC, VBC, VPC, WPC 110, 111, 210, 211 | 1600cc, 1800cc | |
| | GC60080 | 180K, 240KGT C210 | 1800cc, 2400cc | |
| | GC60080 | 180SX, 200SX S, HS, KS, PS, US, KHS, KPS | 1800cc, 2000cc | |
| | GC60080 | 300ZX, SX Z31, S13 | 3000cc | |
| | GC92010 | 2000 SX | DOHC 16V | |

GMB CLUTCH RELEASE BEARING




| | |  |  |  | |
|----------|---------|---|---|---|----------------------------|
| OE Maker | Clutch | Vehicle Model | Engine Type | | |
| NISSAN | | GC60080 | 2000 DR Turbo All Models | 2000cc | |
| | | GC60080 | 200C - all models eKCBept STD | 2000cc | |
| | | GC802080 | 200C - STD model ONLY | 2000cc | |
| | | GC60080 | 200C, 260C 230 | 2000cc, 2600cc | |
| | | GC60080 | 200K, 240K, 280K All Models | 2000cc, 2400cc, 2800cc | |
| | | GC60080 | 200L C230 | 2000cc | |
| | | GC60080 | 200L, 240L, 280L All Models | 2000cc, 2400cc, 2800cc | |
| | | GC60080 | 220C - all models eKCBept STD & Q series Taxi | 2200cc | |
| | | GC02080 | 220C - STD model & Q series Taxi only | 2200cc | |
| | | GC60080 | 220C, 240C, 260C, 280C 330 | 2400cc,2600cc,2800cc&Diesel | |
| | | GC60080 | 240C, 260C, 280C All Models | 2400cc, 2600cc, 2800cc | |
| | | GC60080 | 240L C230 | 2400cc | |
| | | GC60080 | 240Z,260Z,280Z,280ZX,300ZX/Fairlady Z All Models | | |
| | | GC02080 | 710 140J, 160J | 1400cc/GBX:3 | |
| | | GC60080 | 710 140J, 160J | 1400cc, 1600cc | |
| | | GC60080 | 810 160B, 180B | 1600cc, 1800cc | |
| | | GC60080 | A10 140J, 160J | 1400cc, 1600cc | |
| | | Ad Van | GC41010 | Ad Van VB11, VHB11 | 1300cc, 1500cc |
| | | | GC93010 | Ad Van VSB11, VHB11 | 1500cc, 1700cc |
| | | | GC41010 | Ad Van VSB11 | 1700cc |
| | | Altima | GC92010 | Altima A31 | 2000cc LHD |
| | | | GC60080 | Altima A31 | 2000cc RHD, 2400 |
| | | Auster/Stanza | GC60080 | Auster/Stanza PA11 | 1600cc |
| | | | GC41010 | Auster/Stanza T11, KT11, FT11, T12, FT12 | 1600cc |
| | | | GC60080 | Auster/Stanza GPA10:FPA, FRA, GPA, GRA11 | 1600cc, 1800cc |
| | | | GC41010 | Auster/Stanza E-T11, PT11, KPT11 | 1600cc, 1800cc |
| | | | GC41010 | Auster/Stanza PT11, KPT11, FPT11 | 1800cc |
| | | | GC193010 | Auster/Stanza PT12, FPT12 | 1800cc |
| | | | GC41010 | Auster/Stanza FHLT11, KHLT11 | 2000cc |
| | | | GC60080 | B110 | 1200cc |
| | | | GC60080 | B210 | 1200cc |
| | | GC60080 | B310 | 1200cc, 1400cc, 1500cc | |
| | | Bluebird | GC41010 | Bluebird RU11, VRU11, E-RU11, E-V12 | 1500cc, 1600cc, 1600cc FWD |
| | GC60080 | | Bluebird WRJ, WTJ, WMJ, WPJ, WUJ 910 | 1600cc, 1800cc | |
| | GC60080 | | Bluebird J, P, U, RJ, TJ, KJ, KP, KM, KU, MJ, PJ, | 1600cc, 1800cc | |

| | |  |  |  |
|----------|----------|---|---|---|
| OE Maker | | Clutch | Vehicle Model | Engine Type |
| NISSAN | Bluebird | | UJ, VJ, KPJ, KUJ, VTJ | |
| | | GC60080 | Bluebird 910 | 1600cc, 1800cc |
| | | GC93010 | Bluebird U11, T12 | 1600cc, 1800cc |
| | | GC41010 | Bluebird U11 | 1600cc, 1800cc, 2000cc |
| | | GC93010 | Bluebird WU11 | 1800cc |
| | | GC93010 | Bluebird U12 | 1800cc |
| | | GC93010 | Bluebird U11, KU11, WU11 | 1800cc FWD |
| | | GC60080 | Bluebird Y, KY, JY, JKY 910 | 2000cc |
| | | GC92010 | Bluebird EJ, VEJ, WEJ 910 | 2000cc |
| | | GC12010 | Bluebird N-VEU11 | 2000cc Turbo |
| | | GC02010 | Bluebird U12 | GBX:5 Trans KA24E Engine |
| | | GC92010 | Bluebird 910 | Diesel |
| | | GC12010 | Bluebird Maxima YU, KYU, WYU11 | 2000cc |
| | | GC02080 | Bluebird/Bluebird Estate Wagon 410/11 PA410, WPA410/1 | 1000cc, 1200cc, 1300cc |
| | | GC60080 | C20 Series All Models | 1200cc, 1400cc |
| | | GC60080 | C341 Truck DC, YC, MC341 | 2000cc, 3000cc, 3300cc |
| | GC92010 | Cedric MY30, NJY31, TNJY31, CMJY31, MYJ31 | 2000cc | |
| | GC60080 | Cedric E-KY30, Y30, WY30, PY30, Y31, 430, N-UY30 | 2000cc, 2400cc, 2800cc, 3000cc & Diesel | |
| | GC60080 | Cedric UY31, TY31, VY30, TUJY31, UYJ31 | 2000cc, 2800cc | |
| | GC60080 | Cedric N-VHY30, HY30, KHY30, WHY30; E-KPY30 | 2800cc, 2000cc, 3000cc | |
| | GC02010 | Cedric Y31 | Diesel | |
| | GC60080 | Cedric/Gloria All Models | 2000cc, 2300cc, 2800cc, 3000cc | |
| | GC60080 | Cefiro E-A31, E-CA31 | 2000cc | |
| | GC92010 | Cefiro A31 | 2000cc LHD | |
| | GC60080 | Cefiro A31 | 2000cc RHD, 2400cc | |
| | Cherry | GC60080 | Cherry Vanette All Models | 1200cc, 1500cc, 2000cc |
| | Fairlady | GC60080 | Fairlady Z All Model eKCBept CZ/CGZ/Z/GZ 32 | 2000cc, 2400cc, 2800cc, 3000cc |
| | | GC92010 | Fairlady Z CZ/CGZ/Z/GZ 32 | 3000cc |
| | Gazelle | GC60080 | Gazelle E-BS12, RBS12, US12, RUS12, JS12, RJS12, S12, RS12 | 1800cc |
| | | GC60080 | Gazelle (R)S, JS, US12:S110:(K)S, PS 110Y | 1800cc, 2000cc |
| | Gloria | GC92010 | Gloria MY30, NJY31, TNJY31 | 2000cc |
| | | GC60080 | Gloria VY30 | 2000cc |

GMB CLUTCH RELEASE BEARING



| OE Maker | Clutch | Vehicle Model | Engine Type | |
|----------|---------------------------|---------------------------|---|--------------------------------|
| NISSAN | Gloria | GC92010 | Gloria CMJY31, MJY31 | 2000cc |
| | | GC60080 | Gloria E-KY30, Y30, WY30, KPY30, PY30 | 2000cc, 3000cc |
| | | GC60080 | Gloria TY31, TUJY31, UJY31, UY31 | 2000cc, 2800cc |
| | | GC60080 | Gloria N-VHY30, HY30, KHY30, WHY30 | 2800cc |
| | | GC60080 | Gloria N-UY30, N-KUY30 | 2800cc |
| | | GC60080 | Gloria VUY30, WUY30 | 2800cc |
| | Junior | GC02080 | Junior 41, N41 | 1600cc, 2000cc |
| | | GC02080 | Junior 140 | 2000cc, 2400cc & Diesel |
| | | GC60080 | Junior 140 | 2000cc, 2400cc & Diesel |
| | | GC60080 | Junior Pickup All Models | 1600cc, 2000cc, 2200cc, 2500cc |
| | Langley | GC41010 | Langley E-PN12 Langley N-SN12, RSN12, E-RPN12, E-KHN12 | 1300cc |
| | | GC41010 | RHN12, HN12 | 1300cc, 1500cc, 1700cc |
| | | GC41010 | Langley HN12, M12 | 1500cc |
| | | GC93010 | Langley BFN13, BHN13 | 1500cc |
| | | GC41010 | Langley SN12 | 1700cc |
| | | GC93010 | Langley BSN13 | 1700cc |
| | Laurel | GC92010 | Langley FC33 | 1800cc |
| | | GC92010 | Laurel E-FJC32 | 1800cc Gasoline |
| | | GC60080 | Laurel All Models | 1800cc, 2000cc, 2400cc, 2800cc |
| | | GC60080 | Laurel E-KUJC31, HJC31, UJC31, KHC31 | 2000cc |
| | | GC60080 | Laurel E-HJC32 | 2000cc |
| | | GC60080 | Laurel E-KGC32, KHC32 | 2000cc |
| | | GC92010 | Laurel C32 | 2000cc |
| | | GC92010 | Laurel A31 | 2000cc LHD |
| | | GC60080 | Laurel A31 | 2000cc RHD, 2400cc |
| | | GC60080 | Laurel C31 | 2000cc, 2400cc & Diesel |
| | | GC60080 | Laurel HCC33, HC33, SC33 | 2000cc, 2800cc |
| | | GC60080 | Laurel C32 | 2400cc, 3000cc |
| | | GC60080 | Laurel N-EJC32 | 2800cc |
| | | GC60080 | Laurel N-SJC32 | 2800cc |
| | GC60080 | Laurel SJC32, TSJC32 | 2800cc | |
| | GC92010 | Laurel Altima, Cefiro A31 | 2000cc (LHD) | |
| GC60080 | Laurel Altima, Cefiro A31 | 2000cc (RHD), 2400cc | | |
| GC41010 | Laurel Spirit HB, EHB11 | 1500cc | | |

| | |  |  |  |
|----------|--------------------|---|---|---|
| OE Maker | Clutch | Vehicle Model | Engine Type | |
| NISSAN | Laurel | GC93010 | Laurel Spirit FB12 | 1500cc |
| | | GC93010 | Laurel Spirit E-FNB12, Q-SB12 | 1500cc 4WD, 1700cc |
| | | GC41010 | Laurel Spirit E-HB11, KHB11, WHB11, RHB11, E-B11, N-SB11, WSB11 | 1300cc, 1500cc, 1700cc |
| | | GC93010 | Laurel Spirit SB12, EB12 | 1600cc, 1700cc |
| | | GC41010 | Laurel Spirit SB11 | 1700cc |
| | | GC93010 | Laurel Spirit-only RS5F30A trans. E-EB12, E-FB12 | 1500cc, 1600cc |
| | Leopard | GC60080 | Leopard E-JF30 | 1800cc |
| | | GC60080 | Leopard HF, JF, PF 30:L28, L20E-T | 1800cc, 2000cc |
| | | GC60080 | Leopard E-GF30 | 2000cc |
| | | GC60080 | Leopard E-GF31 | 2000cc |
| | | GC60080 | Leopard E-HF30 | 2000cc, 2800cc, 3000cc |
| | | GC60080 | Leopard E-PF30 | 2000cc, 2800cc, 3000cc |
| | | GC60080 | Leopard E-NF30 | 2000cc, 2800cc, 3000cc |
| | LG/Liberta | GC62080 | LG Series LG54V, P-LG54V | 11.0 Ton |
| | | GC41010 | Liberta Ville E-PN12 | 1300cc |
| | | GC41010 | Liberta Ville N-SN12, RSN12; E-RPN12 | 1300cc, 1700cc |
| | | GC41010 | Liberta Ville E-KHN12, RHN12, HN12 | 1500cc |
| | | GC41010 | Liberta Ville BFNN13, BHNN13 | 1500cc |
| | | GC93010 | Liberta Ville BSN13 | 1700cc |
| | | GC41010 | Liberta, Liberta Ville HN . . . T11:PT11 | 1500cc, 1600cc, 1800cc |
| | | GC41010 | Liberta/Liberta Ville E-HN12, SN12 | 1700cc |
| | | GC30080 | LW Series p-LW46 | 11.25 Ton |
| | March/Micra | GC41010 | March | 1000cc Turbo |
| | Maxima/N10 | GC12010 | Maxima A32 | 3000cc |
| | | GC12010 | Maxima J30 | 3000cc |
| | | GC93010 | NX Coupe FB13, EB13 | 1500cc, 1600cc |
| | Navara /Pathfinder | GC60080 | Navara D21 | 1600cc, 2000cc, 2400cc Diesel |
| | | GC02010 | Navara D21 | Diesel |
| | | GC12010 | Navara D21 | Diesel |
| | | GC60080 | Pathfinder WD21 | 2400cc |
| GC12010 | | Pathfinder WD21 | Diesel | |
| Patrol | GC60080 | Patrol All Models | 2800cc, 3000cc, 4000cc | |
| | GC61080 | Patrol All Models | 4000cc | |
| | GC60080 | Patrol Y60 | 4200cc, Diesel | |

GMB CLUTCH RELEASE BEARING



| OE Maker | | Clutch | Vehicle Model | Engine Type | |
|----------|---------|---------|--|--|--------------------|
| NISSAN | Patrol | GC52080 | Patrol Y60 | 4200cc, Diesel Turbo | |
| | Prairie | GC93010 | Prairie BM10 | 1500cc | |
| | | GC41010 | Prairie BM10, VBM10 | 1500cc FWD | |
| | | GC93010 | Prairie BM10, VBM10 | 1500cc FWD | |
| | | GC41010 | PrairieE-BM10, VBM10, PM10 | 1500cc, 1800cc | |
| | | GC41010 | Prairie M10 | 1500cc, 1800cc | |
| | | GC93010 | Prairie M10 | 1500cc, 1800cc | |
| | | GC41010 | Prairie PM10 | 1800cc FWD | |
| | | GC02010 | Prairie M11 | 2WD/GBX:5 | |
| | | Presea | GC93010 | Presea R10 | 1500cc |
| | Pulsar | GC41010 | Pulsar MN/UN/KUN/TUN/KMN10, HN/KHN/RHN12, BN/RBN13 | | |
| | | GC41010 | Pulsar N12/13/14, FNN14E-PN12, E-HNN13, L-VHB11 | 1000cc, 1300cc, 1400cc, 1500cc, 1600cc 4WD | |
| | | GC41010 | Pulsar MN/UN/KUN/TUN/KMN10, HN/KHN/RHN12, BN/RBN13 | 1300cc, 1500cc | |
| | | GC41010 | Pulsar E-RPN12:E-HN12,RHN12,KHN12;N-SN12,RSN12 | 1300cc, 1500cc, 1700cc | |
| | | GC93010 | Pulsar HN13, RHN13 | 1500cc | |
| | | GC41010 | Pulsar FNN13 | 1500cc | |
| | | GC93010 | Pulsar N13 | 1500cc, 1600cc 2WD | |
| | | GC93010 | Pulsar E-HN13, RHN13, FHN13; N-SN13, FSN13 | 1500cc, 1700cc | |
| | | GC1039 | Pulsar N13 | 1600cc 2WD | |
| | | GC41010 | Pulsar N13 | 1600cc 4WD | |
| | | GC41010 | Pulsar E-EN13, E-REN13; N-VSB11; E-BN13, RBN13, L-VB11 | 1300cc, 1600cc, 1700cc | |
| | | GC41010 | Pulsar RSN12 | 1700cc | |
| | | GC41010 | Pulsar HN12, PN12 | 1700cc | |
| | | GC93010 | Pulsar SN13, FSN13 | 1700cc | |
| | | GC12010 | Pulsar RNN14 | 2000cc | |
| | | GC41010 | Pulsar N12 | Diesel | |
| | | GC93010 | Pulsar N13 | Diesel | |
| | | GC93010 | Pulsar Ad Van | 1500cc | |
| | | Safari | GC60080 | Safari All Models eKCBept Y60 | 3300cc, 4WD Diesel |
| | | | GC52080 | Safari Y60 | TB42/42S Engine |
| | Sentra | GC93010 | Sentra | 2000cc | |

| | |  |  |  |
|----------|---------|---|---|---|
| OE Maker | | Clutch | Vehicle Model | Engine Type |
| NISSAN | Sentra | GC41010 | Sentra B12 | 1000cc, 1300cc, 1500cc |
| | | GC93010 | Sentra B12 | 1500cc, 1600cc 2WD |
| | | GC41010 | Sentra B12 | 1600cc 4WD |
| | | GC41010 | Sentra B11 | Diesel |
| | | GC93010 | Sentra B12 | Diesel |
| | | GC93010 | Sentra B13 | 1600cc |
| | Silvia | GC60080 | Silvia S, JS, RS, BS, RJS, RBS 12 | 1800cc |
| | | GC60080 | Silvia E-S12, RS12, JS12, RJS12 | 1800cc |
| | | GC60080 | Silvia E-US12, RUS12 | 1800cc |
| | | GC60080 | Silvia E-BS12, RBS12 | 1800cc |
| | | GC41010 | Silvia PJS, RPJS 12 | 2000cc |
| | | GC60080 | Silvia E-RUS12, US12 | 2000cc |
| | | GC60080 | Silvia US, RUS12 | 2000cc |
| | Skyline | GC60080 | Skyline CJR, FJR, KFJR, RCJR, RFJR, VCJR, VPJR 30 | 1800cc |
| | | GC60080 | Skyline R30 | 1800cc |
| | | GC60080 | Skyline E-FJR30, L-VPJR30 | 1800cc |
| | | GC92010 | Skyline FJ, KFJ 30 | 1800cc |
| | | GC60080 | Skyline VPJR30 | 1800cc |
| | | GC92010 | Skyline FJR31 | 1800cc |
| | | GC92010 | Skyline E-FJR31 | 1800cc |
| | | GC92010 | Skyline FR32 | 1800cc |
| | | GC60080 | Skyline R, DR, HR, KR, BJR, KDR, KHR, RHR, UJR, KBJR, KUJR, VBJR | 2000cc |
| | | GC60080 | Skyline VSJR 30:HR, KHR 31 | 2000cc |
| | | GC60080 | Skyline E-DR30,KHR30,KDR30,HR30,RHR30,N-VSJR3 | 2000cc |
| | | GC60080 | Skyline HR31, YHR31 | 2000cc |
| | | GC92010 | Skyline R31 | 2000cc |
| | | GC60080 | Skyline HR32, YHR32, BNR32 | 2000cc, 2600cc |
| | | GC60080 | Skyline R30, MR, RMR, KMR 30 | 2000cc, 2400cc |
| | | GC60080 | Skyline MR, RMR, KMR, S, ER, KS, RER30 | 2400cc, 2800cc |
| | | GC60080 | Skyline N-ER30 | 2800cc |
| | | GC92010 | Skyline ER, RER 30 | 2800cc |
| | | GC92010 | Skyline N-KSR31 | 2800cc |
| | GC60080 | Skyline N-SR, KSR; E-HR, KHR; N-SR, N-KSR, E-FJR, WFJR31, R30 | 1800cc,2000cc,2800cc,3000cc | |

GMB CLUTCH RELEASE BEARING



| OE Maker | | Clutch | Vehicle Model | Engine Type |
|----------|---------|-------------------|--|-------------------------------------|
| NISSAN | Skyline | GC02080 | Skyline - 3 Speed, 4 Speed | 1500cc |
| | | GC02080 | Skyline - GT - 4 Speed | 2000cc |
| | Stanza | GC41010 | Stanza E-T12 | 1600cc |
| | | GC93010 | Stanza E-T12 | 1600cc |
| | | GC60080 | Stanza PA11, RA11 | 1600cc, 1800cc |
| | | GC41010 | Stanza E-T11 | 1600cc, 1800cc |
| | | GC41010 | Stanza PT11, KPT11 | 1600cc, 1800cc |
| | | GC41010 | Sunny B12 | 1000cc, 1300cc |
| | Sunny | GC41010 | Sunny N13 | 1000cc, 1300cc |
| | | GC41010 | Sunny B13 | 1000cc, 1300cc, 1400cc |
| | | GC41010 | Sunny KB11, WB11, HB11, KHB11, WHB11, B12, RB12, WB12, HNB12 | 1300cc, 1500cc |
| | | GC41010 | Sunny B11 | 1300cc, 1500cc |
| | | GC41010 | Sunny N13 | 1400cc, 1600cc 4WD |
| | | GC93010 | Sunny HB12, RHB12, KHB12, WHB12 | 1500cc |
| | | GC41010 | Sunny HNB12 | 1500cc |
| | | GC93010 | Sunny FB12, WFB12 | 1500cc |
| | | GC41010 | Sunny FNB13 | 1500cc |
| | | GC41010 | Sunny HB12, RHB12 | 1500cc Turbo |
| | | GC93010 | Sunny B12, N13 | 1500cc, 1600cc 2WD |
| | | GC41010 | Sunny B12, N13 | 1500cc, 1600cc 4WD |
| | | GC41010 | Sunny E-HB/RHB/KHB/HNB12,L-VHB11,L-VB/N-VSB11;E-HNB12 | 1300cc, 1500cc, 1700cc(4WD)Gasoline |
| | | GC93010 | Sunny N13 | 1600cc 2WD |
| | | GC41010 | Sunny E-HB11,KHB11,WHB11,RHB11,E-B11,N-SB11,WSB11 | 1300cc, 1700cc |
| | | GC93010 | Sunny B12 | 1600cc 2WD |
| | | GC41010 | Sunny B12 | 1600cc 4WD |
| | | GC93010 | Sunny B13 | 1600cc Diesel |
| | | GC41010 | Sunny SB11, WSB11, VSB11 | 1700cc |
| | | GC93010 | Sunny N-SB12, N-WSB12 | 1700cc |
| | GC41010 | Sunny N12 | Diesel | |
| | GC41010 | Sunny B11 | Diesel | |
| | GC93010 | Sunny B12, N13 | Diesel | |
| | GC41010 | Sunny Ad Van VB11 | 1300cc | |




| | |  |  |  |
|--------------------------|----------|---|---|---|
| OE Maker | Clutch | Vehicle Model | Engine Type | |
| NISSAN | Sunny | GC41010 | Sunny California E-B, E-HB, KHB, WHB, RHB N-SB11 | 1300cc, 1500cc, 1700cc |
| | | GC60080 | Sunny Truck B122, GB122 | 1200cc |
| | | GC60080 | Sunny Vanette (All Models) | 1200cc,1500cc,1800cc,2000cc |
| | Terrano | GC12010 | Terrano N-VBYD21 | 3000cc 4WD B Gasoline |
| | Atlas | GC60080 | Atlas BF22, PF22 | 1600cc, 2000cc |
| | | GC60080 | Atlas WF22, WGF22 | 2000cc |
| | | GC60080 | Atlas AF22, AGF22 | 2700cc |
| | | GC60080 | Atlas N-SBH40, DSH40, SGH40 | 2.0-3.0t |
| | | GC60080 | Atlas N-DMH40, MGH40, MBH40, KAH40 | 2.0t |
| | | GC60080 | Atlas DJH40, JGH40 | 3000cc |
| | | GC60080 | Atlas MH40, TMH40 | 3300cc |
| | | GC60080 | Atlas RH40 | 3500cc |
| | | GC60080 | Atlas/Condor All Models | 2000cc, 2300cc |
| | | Caball | GC02080 | Caball All Models |
| | GC60080 | | Caball/Civilian C340, QC340 | 2000cc & Diesel |
| | GC60080 | | Caball/Clipper All Models | 2000cc |
| | GC60080 | | Caball/Clipper/Bison All Models | 2200cc, 3000cc, 3300cc |
| | Cabstar | GC60080 | Cabstar F22 | 1600cc, 2000cc & Diesel, 1 - 1.5 Ton Truck |
| | | GC60080 | Cabstar All Models | 1600cc, 2000cc, 2200cc, 2300cc, 2500cc, 3300cc |
| | | GC60080 | Cabstar H40 | Diesel, 2 - 3 Ton Truck, 2800cc, 2200cc |
| | | GC02010 | Cabstar F22 | TD23 Engine |
| | Caravan | GC60080 | Caravan All Models eKCBept VYEVYGEVREVRGE 24 | 1800cc, 2000cc, 2300cc |
| | | GC12010 | Caravan VYE/VTGVREVRGE 24 | 2300cc, 2700cc |
| | Civilian | GC02080 | Civilian All Models | 2000cc |
| | | GC60080 | Civilian All Models | 2000cc,2200cc,3000cc,3300cc |
| | | GC60080 | Civilian W40 | 2200cc, 2800cc, Diesel |
| | | GC60080 | Civilian N-MW40, MGW40 | 3300cc |
| | | GC60080 | Civilian FGW40, FW40 | 3300cc |
| | | GC92010 | Civilian BGW40, BW40 | 3500cc |
| | | GC60080 | Civilian RGW40, RW40, RYW40 | 4200cc |
| Datsun Truck /Vanette | GC41010 | Datsun L-VB11, VHB11, N-VSB11 | 1300cc, 1500cc, 1700cc | |
| | GC41010 | Datsun Ad Van VB11 | 1300cc | |

GMB CLUTCH RELEASE BEARING



| OE Maker | | Clutch | Vehicle Model | Engine Type |
|----------|------------------------|---------|--|---|
| NISSAN | Datsun Truck /Vanette | GC60080 | Datsun Truck All Models | 1600cc, 1800cc, 2200cc, 0.75t, 1.0t |
| | | GC02010 | Datsun Truck PD21, PGD21 | 2300cc |
| | | GC60080 | Datsun Vanette All Models | 1200cc, 1500cc, 1800cc, 2000cc |
| | | GC60080 | E20 Series All Models | 1500cc, 1600cc, 2000cc, 2200cc, 2300cc |
| | Homer/Homy | GC60080 | Homer Truck - Van All Models | 1500cc, 1600cc, 2000cc, 2200cc |
| | | GC60080 | Homer L-VNE23; M-CHGE23, VHGE23, N-KSE23 | 1800cc, 2000cc |
| | | GC60080 | Homer CHGE24, DHGE24, CTGE24, DTGE24 | 2000cc |
| | | GC12010 | Homer CYGE24, DYGE24 | 2300cc |
| | | GC12010 | Homer VRE24, VRGE24 | 2700cc |
| | | GC60080 | Homer/Caravan All Models | 1500cc, 1600cc, 2000cc, 2200cc, 2300cc |
| | | GC12010 | Homer/Caravan N-VYE24, N-VYGE24 | 1.0 Ton |
| | Pickup | GC60080 | Pick Up - Truck All Models | 1200cc |
| | | GC60080 | Pick Up - Truck All Models | All Models |
| | | GC60080 | Pickup B120 | 1200cc |
| | | GC60080 | Pickup 620, N620 Pickup 720, D21 | 1300cc, 1500cc 1600cc, 1800cc, 2200cc |
| | Urban/Urvan / Microbus | GC60080 | Urban All Models | 1600cc, 1800cc, 2000cc, 2200cc, 2300cc |
| | | GC12010 | Urban All Models | 2300cc |
| | | GC60080 | Urvan E23, E24, GC22 | 1600cc, 1800cc, 2000cc, 2400cc Diesel, 1500cc |
| | | GC12010 | Urvan | Diesel |
| | | GC60080 | Microbus All Models | 2000cc, 2200cc |
| | Vanette /Violet | GC60080 | Vanette/Largo All Models | 1200cc, 1400cc, 1500cc, 2000cc |
| | | GC60080 | Violet/140J, 160J, 180J (K,V)A10, 11:J(K)710, 711:VJ710, (K,J,JK)P710:8(K)PA | 1400cc, 1600cc |
| | | GC02080 | Violet/140J, 160J, 180J JP710P | 1600cc |
| | | GC41010 | Violet/140J, 160J, 180JT11, PT11 | 1600cc, 1800cc |
| | | GC02080 | Violet/140J, 160J, 180J JR710, JR711 | 1800cc |
| | | GC60080 | Violet/140J, 160J, 180J (K)RA11 | 1800cc |

CLUTCH RELEASE BEARING 2012

| | |  |  |  | |
|----------|----------|---|---|---|----------------------------|
| OE Maker | | Clutch | Vehicle Model | Engine Type | |
| OPEL | Ascona | GC80010 | Ascona 1.6 | | |
| | | GC80010 | Ascona 1.8 | | |
| | | GC80010 | Ascona 2.0 | | |
| | | GC80010 | Ascona 1.6 Diesel | 16DA-1586cc Mot 14498631 | |
| | Astra | GC80010 | Astra 1.6 | | 1.6LZ2 |
| | | GC80010 | Astra 1.8 | | C1.8NZ/GBX:F16, F18 |
| | | GC80010 | Astra 1.8 | | C1.8SEL |
| | | GC80010 | Astra 1.8 16V | | C1.8XE, X1.8XE, C1.8XEL |
| | | GC80010 | Astra 2.0 | | C2.0NE |
| | | GC80010 | Astra 2.0 1.6V | | X2.0XEV |
| | | GC80010 | Astra 1.7 Turbo Diesel | | 1.7TD, X1.7DTL |
| | Calibra | GC80010 | Calibra 2.0 | | C2.0NE, C2.0XE |
| | | GC80010 | Calibra 2.0 16V | | X2.0XEV |
| | | GC80010 | Calibra 2.0 Turbo | | C2.0LET |
| | | GC80010 | Calibra 2.5 16V | | C2.5XE |
| | Campo | GC01010 | Campo 2.3 | | 2.3 |
| | | GC20080 | Campo 2.2 Diesel | | 2.2D |
| | | GC01010 | Campo 2.5 Diesel | | 2.5D |
| | Frontera | GC31010 | Frontera 2.8 Turbo Diesel | | 2.8TD |
| | Kadett | GC80010 | Kadett 1.8 | | GBX:F16 |
| | | GC80010 | Kadett 2.0 | | |
| | | GC80010 | Kadett 1.5 Turbo Diesel | | 1.5TD |
| | | GC80010 | Kadett 1.6 Diesel | | |
| | | GC80010 | Kadett 1.7 Diesel | | 1.7DR/GBX:F16 |
| | | GC80010 | Kadett 1.7 Turbo Diesel | | 1.7TD |
| | Monterey | GC31010 | Monterey 3.1 Turbo Diesel | | |
| | Vectra | GC80010 | Vectra 1.8 | | |
| | | GC80010 | Vectra 2.0; 2.0 16V | | |
| | | GC80010 | Vectra 2.5 | | |
| | | GC80010 | Vectra 1.7 Turbo Diesel | | |
| PORSCHE | 924 | GC03010 | 924 2.0 | 478 | |

GMB CLUTCH RELEASE BEARING

48

GMB Korea Corporation




| | |  |  |  | |
|----------|------------------------|---|---|---|------------------------------------|
| OE Maker | | Clutch | Vehicle Model | Engine Type | |
| PROTON | | GC40010 | Saga C21A, C22A | 1300cc, 1500cc | |
| | | GC40010 | Satria C96, 97, 98 | 1300cc, 1500cc, 1600cc | |
| | | GC40010 | Perdana E55A | 2000cc | |
| | | GC40010 | Wira C96, 97, 98, 99 | 1300cc, 1500cc, 1600cc, 1800cc | |
| | | GC40010 | Persona C96, 97, 98, 99 | 1300cc, 1500cc, 1600cc, 1800cc | |
| SAAB | 900 | GC80010 | 900 2.0 | | |
| | | GC80010 | 900 2.3, 2.5 | | |
| SUBARU | E/J/L Series /Justy | GC90080 | E Series EF10, EF12 | 1000cc, 1200cc - 2WD | |
| | | GC90080 | FFI A14, 15, 43, 44 | 1100cc, 1300cc | |
| | | GC90080 | J Series EF10, EF12 | 1000cc, 1200cc | |
| | | GC90080 | J Series J10, J12 | 1000cc, 1200cc | |
| | | GC90080 | Justy E-KA6, E-KA5, E-KA8, E-KA7 | 1000cc, 1200cc | |
| | | GC90080 | Justy/J10 KA5, 6, 8 | 1000cc, 1200cc | |
| | Leone | | GC90080 | L Series EA65, EA71, EA81 | 300cc, 1600cc 2WD, 1800cc 2WD |
| | | | GC90080 | Leone E-AF1, E-AF2 | 1300cc, 1600cc |
| | | | GC90080 | Leone L-AM1, L-AM2 | 1300cc, 1600cc |
| | | | GC90080 | Leone EA65, EA71, EA81 | 1300cc, 1600cc 2WD, 1800cc, 2WD |
| | | | GC70080 | Leone EA65, EA71, EA81 | 1300cc, 1600cc 4WD, 1800cc, 4WD |
| | | | GC90080 | Leone E-AA3 | 1600cc |
| | | | GC90080 | Leone E-AP2, AA2 | 1600cc |
| | | | GC90080 | Leone E-AB2, AB3, AB4, AB5, AF3, AF5, AJ5 | 1600cc, 1800cc |
| | | | GC90080 | Leone E-AA2, E-AA4 | 1600cc, 1800cc |
| | GC90080 | Leone E-AA4 | 1800cc | | |
| | GC90080 | Leone Car, Van & Wagon AB1, AF1:A 21, 22, 24, 25, 32, 61, 62, 64, 65:AM1 | 1100cc, 1200cc, 1300cc, 1400cc | | |
| | GC90080 | Leone Car, Van & Wagon A 26, 27, 33, 34, 66, 67: AB, AW, AF, AM2, AB, AF, AM3 | 1600cc | | |
| | GC90080 | Leone Car, Van & Wagon AB4, AB5 | 1600cc, 1800cc | | |

| | |  |  |  | |
|----------|----------------------|---|---|---|--------------------|
| OE Maker | | Clutch | Vehicle Model | Engine Type | |
| SUBARU | Leone | GC90080 | LeoneCar, Van&WagonAB, AM4A:AB, AF, AM, AJ5A | 1600cc, 1800cc | |
| | | GC70080 | Leone Car, Van & Wagon AB4, AB5 | 1600cc, 1800cc | |
| | | GC90080 | Leone Car, Van & Wagon AA2, AP2, AA, AG, AL 4 | 1600cc, 1800cc | |
| | | GC70080 | Leone Car, Van & Wagon Europe only | 1800cc | |
| | | GC20080 | R-2 K12, 41 | 360cc | |
| | Rex | GC90080 | Rex E-KF1 | 550cc | |
| | | GC90080 | Rex M-KM1 | 550cc | |
| | | GC90080 | Rex KG1, KN1, KN2 | 550cc | |
| | | GC90080 | Rex KG2 | 550cc | |
| | | GC90080 | Rex KH1, KP1 | 550cc | |
| | | GC90080 | Rex E-KM2, E-KM1, M-KM2 | 550cc, 550cc 4WD Gasoline | |
| | Domingo | GC90080 | Rex KF1:KM 1, 2C, 2D, 2E | 600cc, 700cc FWD | |
| | | GC90080 | Domingo E-KJ5 | 1000cc | |
| | | GC90080 | Domingo E-KJ8 | 1000cc, 1200cc-4WD Gasoline | |
| | Sambar - Pickup /Van | GC80090 | Domingo/E10 EKJ6 | 1000cc | |
| | | GC90080 | Sambar-Pickup/Van K55, 59, 64, 71, 72, 81 | 360cc | |
| | | GC90080 | Sambar-Pickup/Van KR2, KT2 | 550cc | |
| | | GC90080 | Sambar-Pickup/Van M-KR1, M-KT1, M-KR2, M-KT2 | 550cc | |
| | SUZUKI | Alto | GC90080 | Sambar-Pickup/Van KT2, KR2 | 600cc, 700cc |
| | | | GC20080 | LJ50, 50-2, 51, 50V-2, 80, 81 | 550cc, 800cc - 4WD |
| GC20080 | | | LJ80 | 800cc 4WD | |
| GC20080 | | | SK408 | 800cc | |
| GC20080 | | | SK410 | 1000cc | |
| GC20080 | | | LJ50 | 550cc 4WD | |
| GC20080 | | | 450 | 450cc | |
| GC20080 | | | ST80 | 800cc | |
| GC20080 | | | ST90 | 800cc | |
| GC23010 | | | Alto M-CC71V | 550cc | |
| GC23010 | Alto M-CC71V, 72V | 550cc 4WD | | | |

GMB CLUTCH RELEASE BEARING



| OE Maker | | Clutch | Vehicle Model | Engine Type |
|----------|---------|---------|---|---------------------|
| SUZUKI | Alto | GC23010 | Alto M-CC72V | 550cc |
| | | GC90080 | Alto M-SS40V, M-SS30 | 550cc |
| | | GC90080 | Alto M-SS80, M-SB308 | 800cc |
| | | GC90080 | Alto SB305, SB308 | 550cc, 800cc |
| | Cervo | GC23010 | Cervo CN21S, CN31S | 660cc |
| | | GC23010 | Cervo CP31S | 660cc |
| | | GC20080 | Cervo E-SS20 | 550cc |
| | Cultus | GC23010 | Cultus AA33S, AB33S | 1300cc |
| | | GC50010 | Cultus AA34S, AA44S, AB44S, AB34S | 1000cc, 1300cc |
| | | GC50010 | Cultus AA53S, AB53S | 1300cc |
| | | GC20010 | Cultus AJ14S, AF34S, AH14S | 1300cc |
| | | GC23010 | Cultus E-AA33S, E-AB33S, E-AA53S, E-AB53S, E-AB51S, E-AA43S | 1000cc, 1300cc |
| | | GC32010 | Cultus E-AA41S, E-AB41S | 1000cc |
| | | GC50010 | Cultus E-AA43V, E-AB43S | 1000cc |
| | | GC23010 | Cultus E-AB51S | 1300cc |
| | | GC23010 | Cultus/Swift E-AA41S, AA41ST, AB41S, SA310, SA413 | 1000cc, 1300cc |
| | | GC23010 | E-AA43S, AB43S, L-AA43V | 1000cc |
| | | GC23010 | E-AB51S, AA33S, AB33S, AA53S, AB53S | 1300cc |
| | | GC20010 | Escudo TA01R, TA01V, TA01W | 1600cc |
| | | Fronte | GC23010 | Fronte E-CP11S |
| | GC23010 | | Fronte E-CP11S, M-CM11V | 550cc 4WD Gasoline |
| | GC20080 | | Fronte E-SS20 | 550cc |
| | GC90080 | | Fronte E-SS30 | 550cc |
| | GC90080 | | Fronte LC10, LC10WR | 360cc |
| | GC20080 | | Fronte LC20.. | 360cc |
| | GC90080 | | Fronte SS80F | 800cc |
| | GC20080 | | Fronte Van & Hatchback SH10 | 550cc |
| | Jimny | GC20010 | Jimny E-JA51 | 1300cc 4WD Gasoline |
| | | GC20010 | Jimny JA51C, JA51V, JA51W | 1300cc |
| | | GC20010 | Jimny JA71C, JA71V | 550cc |

| | |  |  |  |
|----------|-----------------------|---|---|---|
| OE Maker | | Clutch | Vehicle Model | Engine Type |
| SUZUKI | Jimny | GC20080 | Jimny L-SJ40, L-SJ40V, L-SJ40T | 1000cc |
| | | GC20080 | Jimny L-SJ410.. | 1000cc |
| | | GC20080 | Jimny SJ10, SJ20 | 550cc, 800cc |
| | | GC20010 | Jimny SJ413 | 1300cc |
| | Swift | GC23010 | Swift SA310 | 1000cc |
| | | GC23010 | Swift SA310-3 | 1000cc |
| | | GC23010 | Swift SA413 | 1300cc |
| | | GC20010 | Swift SF413 | 1300cc 4WD |
| | | GC50010 | Swift SF413 | 1300cc, 1300cc DOHC(2WD) |
| | | GC20080 | Swift SJ410 | 1000cc 4WD |
| | Vitara | GC20010 | Swift SJ413 | 1300cc 4WD |
| | | GC20010 | Vitara SE416 | 1600cc |
| | Carry | GC20080 | Carry/Every | 550cc |
| | | GC20080 | Carry/L, ST Series | 550cc |
| | | GC20010 | Carry/L, ST Series | 550cc |
| | | GC90080 | Carry/L, ST Series | 550cc |
| | Every | GC20080 | Every (All Models) | 550cc |
| TOYOTA | 4 Runner /Blizzard | GC01010 | 4 Runner RN10#, 110#, 13#, VZN10#, 110#, 13#;RN80, 90, 121, VZN85, 90, 95 | 4WD, 2WD |
| | | GC10080 | Blizzard LD10 | 2200cc |
| | | GC43010 | Blizzard N-LD10V | 2200cc |
| | | GC10080 | Blizzard LD20, N-LD20, 21G | 2400cc, 2400cc 4WD Diesel |
| | Camry | GC33010 | Camry SV10, 20, CV10 | 1800cc |
| | | GC33010 | Camry N-CV10 | 800cc |
| | | GC33010 | Camry SV22 | 800cc |
| | | GC33010 | Camry E-SV10, E-SV11, E-SV12 | 1800cc, 2000cc |
| | | GC33010 | Camry E-SV21, E-SV20, N-CV20 | 1800cc, 2000cc |
| | | GC33010 | Camry E-SV20, E-SV21 | 800cc, 2000cc |
| | | GC83010 | Camry E-SV30, E-SV32, E-SV33, E-CV30 | 800cc, 2000cc |
| | | GC33010 | Camry N-CV11, E-SV20, E-SV11, E-SV21 | 2000cc |
| | | GC10080 | Camry E-SV12 | 2000cc |
| | | GC33010 | Camry N-CV11 | 2000cc |
| | | GC33010 | Camry N-CV10, N-CV11 | Diesel Turbo |

GMB CLUTCH RELEASE BEARING

| | |  |  |  |
|----------|---|---|---|---|
| OE Maker | | Clutch | Vehicle Model | Engine Type |
| TOYOTA | Carina | GC10080 | Carina E-AL25G | 500cc |
| | | GC70080 | Carina TA | 400cc |
| | | GC20080 | Carina TA1 | 1400cc |
| | | GC10080 | Carina L-KT147V, E-AA60, E-AT140, L-KA67V | 1500cc |
| | | GC04010 | Carina E-AT170, E-AT170G | 1500cc |
| | | GC10080 | Carina AA60..., KA67V, AA63:TA60, 61, 67V | 1500cc, 1600cc |
| | | GC04010 | Carina E-AT150, E-AT151, E-AT160 | 1500cc, 1600cc FWD |
| | | GC10080 | Carina N-CA67V, E-AA63, L-KA67V, E-AA60, E-SA60, E-SA60G | 1500cc, 1600cc, 1800cc |
| | | GC20080 | Carina TA12 | 1600cc |
| | | GC10080 | Carina TA60A | 1600cc |
| | | GC04010 | Carina E-AT151 | 1600cc |
| | | GC33010 | Carina E-AT160 | 1600cc |
| | | GC04010 | Carina E-AT150, E-AT151 | 1600cc, 1800cc |
| | | GC10080 | Carina TA40,41,42,45,46,47,49, RA40,45,46,47 | 1600cc, 1800cc, 2000cc |
| | | GC33010 | Carina E-AT160, E-ST160, E-ST162, N-CT150 | 1600cc, 1800cc, 2000cc |
| | | GC10080 | Carina CA67V, SA60, SA60G | 1800cc |
| | | GC33010 | Carina E-ST150/160, E-ST163 | 1800cc |
| | | GC10080 | Carina N-CT147V, N-CA67V, E-ST140, SA60 | 1800cc |
| | | GC33010 | Carina E-ST170, E-ST170G | 1800cc |
| | | GC70080 | Carina RA10, 11, 13, 14, 15, 16, 17, 30, 31 | 1800cc, 2000cc |
| GC10080 | Carina RA40, RA47 | 1800cc, 2000cc | | |
| GC10080 | Carina RA45, RA46 | 1800cc, 2000cc | | |
| GC33010 | Carina ST150, ST160, ST162, CT150 | 1800cc, 2000cc - FWD, Diesel | | |
| GC10080 | Carina TA62, 63, 67:SA60..., CA60, CA67V, RA63 | 1800cc, 2000cc - RWD | | |

| | |  |  |  |
|----------|---------|---|---|---|
| OE Maker | | Clutch | Vehicle Model | Engine Type |
| TOYOTA | Carina | GC33010 | Carina CT150, CT170, CT170G, CT176V | 2000cc |
| | | GC20080 | Celica TA20 | 1400cc |
| | | GC10080 | Celica E-AA60, AA63, E-SA60, E-SA60G | 1500cc, 1600cc, 1800cc |
| | | GC10080 | Celica TA40B | 1600cc |
| | | GC10080 | Celica AA63 | 1600cc |
| | | GC04010 | Celica AT160 | 1600cc |
| | | GC33010 | Celica AT160, ST160 | 1600cc, 1800cc |
| | | GC33010 | Celica E-AT160, E-ST160, ST162, E-ST160, E-ST162, E-AT160 | 1600cc, 1800cc, 2000cc |
| | | GC10080 | Celica TA60B, RA60B | 1600cc, 2000cc |
| | | GC83010 | Celica ST180, 181, ST182, 183 | 1800cc, 2000cc |
| | | GC10080 | Celica E-GA61, E-MA61, 63, E-TA63 | 1800cc, 2000cc, 2800cc |
| | | GC10080 | Celica RA40B | 2000cc |
| | | GC10080 | Celica RA61B | 2000cc |
| | | GC33010 | Celica ST162, ST162C | 2000cc |
| | | Celica | GC33010 | Celica ST182, ST183 |
| | GC83010 | | Celica ST182 | 2000cc DOHC |
| | GC04010 | | Celica GT AT160 | 1600cc |
| | GC10080 | | Celica GT TA42, 46, 47 | 1800cc |
| | GC10080 | | Celica GT TA63..., 64, SA60, 61 | 1800cc |
| | GC10080 | | Celica GT, GTR, GTV, SE, ST, XT RA40/5/6/55/60/61/3 | 2000cc |
| | GC10080 | | Celica GT, GTV, GTR TA40, 41, 45, 60, 61 | 1600cc |
| | GC20080 | | Celica GT, GTV, LT, ST TA22, 23, 25, 27, 28, 35 | 1600cc |
| | GC70080 | | Celica GT, GTV, LT, ST RA21, 23, 25, 28, 35 | 2000cc |
| | GC33010 | | Celica ST, SV, SX ST160 | 1800cc |
| | GC10080 | | Celica/Supra MA45, GA61, 70 | 2000cc |
| | GC33010 | | Celica/Supra ST162 | 2000cc |
| | GC10080 | | Celica/Supra MA45, MA46 | 2000cc, 2600cc |
| | GC10080 | | Celica/Supra E-GA61, E-MA61, 63, E-TA63 | 2000cc, 2800cc |
| | GC10080 | | Celica/Supra MA50, 55, 56, 61, 63 MA46, MA61B | 2800cc |
| | Chaser | GC10080 | Chaser TX60, YX70 | 1800cc |
| | | GC10080 | Chaser TX40 | 1800cc |
| | | GC10080 | Chaser E-SX70 | 1800cc |
| | | GC10080 | Chaser E-SX70Y | 1800cc |
| | | GC71010 | Chaser E-SX80, E-SX80Y | 1800cc |

GMB CLUTCH RELEASE BEARING






| OE Maker | Clutch | Vehicle Model | Engine Type | | |
|----------|-------------------------|------------------------------|--|---|--------------|
| TOYOTA | Chaser | GC10080 | Chaser TX30, 40, RX30, 31, 40, 41:MX30, 40, 41 | 1800cc, 2000cc | |
| | | GC10080 | Chaser GX60,61,71:RX40,41,60,63:LX60,LX70:MX40,41,61 | 2000cc | |
| | | GC10080 | Chaser E-GX61, E-MX61 | 2000cc | |
| | | GC10080 | Chaser GX71 | 2000cc | |
| | | GC10080 | Chaser YX72Y | 2000cc | |
| | | GC60010 | Chaser GX81 | 2000cc | |
| | | GC10080 | Chaser E-GX60G, GX71, E-MX71; N-LX70 | 2000cc, 2400cc | |
| | | GC10080 | Chaser E-GX60, N-LX60, E-SX60 | 1800cc, 2000cc, 2400cc | |
| | | GC10080 | Chaser N-LX60 | 2200cc | |
| | | GC10080 | Chaser N-LX65 | 2400cc | |
| | | GC10080 | Chaser LX70, LX70Y | 2400cc | |
| | | GC71010 | Chaser LX80, LX80Y | 2400cc | |
| | | Corolla | GC20080 | Corolla KE16VM KE20, 25,3., 4., 50, 60 | 1200cc/GBX:5 |
| | | | GC04010 | Corolla AE80E, E-EE80, E-EE80E, EL30, R-EE96V | 1300cc |
| | GC10080 | | Corolla AL20.21 | 1300cc, 1500cc | |
| | GC10080 | | Corolla E-AL20, E-AL21 | 1300cc, 1500cc | |
| | GC04010 | | Corolla E-EL30; E-EL31, N-NL31 | 1300cc, 1500cc | |
| | GC04010 | | Corolla EE96V, EE97G; EE98V | 1300cc, 1500cc | |
| | GC04010 | | Corolla EE110, EE111 | 1500cc, 1600cc | |
| | GC70010 | | Corolla AE110, AE111 | 1300cc | |
| | GC04010 | | Corolla EL41; EL43, EL45, NL40 | 1300cc, 1500cc | |
| | GC04010 | | Corolla E-AE80, E-AE81 | 1300cc, 1500cc, 1600cc | |
| | GC04010 | | Corolla EE90, AE92, AE97 | 1300cc, 1600cc | |
| | GC20080 | | Corolla TE2., 3., 4., 5., 6 | 1400cc | |
| | GC10080 | | Corolla TE5., 6., TE36V | 1400cc | |
| | GC10080 | | Corolla L-KE74V | 1500cc | |
| | GC10080 | | Corolla KE74V | 1500cc | |
| | GC04010 | | Corolla E-AE80 | 1500cc | |
| | GC04010 | | Corolla EL31, NL30 | 1500cc | |
| | GC04010 | | Corolla AE91, AE91G | 1500cc | |
| | GC04010 | | Corolla E-AE81, E-AE82 | 1500cc, 1600cc | |
| | GC20080 | Corolla TE37, 47, 51, 61 | 1600cc | | |
| | GC10080 | Corolla TE51, 55, 61, 65, 71 | 1600cc | | |
| GC10080 | Corolla TE71E | 1600cc | | | |
| GC10080 | Corolla E-AE86, E-AE86E | 1600cc | | | |

| | |  |  |  |
|----------|---------------------|---|---|---|
| OE Maker | | Clutch | Vehicle Model | Engine Type |
| TOYOTA | Corolla | GC04010 | Corolla AE82E | 1600cc |
| | | GC10080 | Corolla N-CE71V, N-CE72G | 1800cc |
| | | GC33010 | Corolla N-CE80 | 1800cc |
| | | GC33010 | Corolla N-CE90 | 1800cc |
| | | GC83010 | Corolla N-CE90, N-CE96V, N-CE97G | 1800cc |
| | | GC10080 | Corolla N-CE72G, L-KE74V | 1300cc, 1500cc, 1800cc |
| | | GC33010 | Corolla N-CE96V, N-CE97G | 1800cc |
| | | GC33010 | Corolla N-CE80E | Diesel |
| | | GC10080 | Corolla Levin E-AE86 | 1600cc |
| | | GC04010 | Corolla/Sprinter EE80 | 1300cc |
| | | GC04010 | Corolla/Sprinter AE80, AE81, AE82 | 1300cc, 1500cc, 1600cc |
| | | GC10080 | Corolla/Sprinter KE47V, 47E, 74 | 1500cc |
| | | GC04010 | Corolla/Sprinter E-AE91 | 1500cc |
| | | GC10080 | Corolla/Sprinter TE73V, 74V | 1600cc |
| | | GC10080 | Corolla/Sprinter TE71 | 1600cc |
| | | GC10080 | Corolla/Sprinter TE70, 72 | 1800cc |
| | | GC10080 | Corolla/Sprinter CE70, 71 | 1800cc |
| | | GC33010 | Corolla/Sprinter CE80 | 1800cc |
| | | GC10080 | Corolla/Sprinter N-CE72, N-CE71V | 1800cc |
| | | GC70010 | Corolla/Sprinter 4DS LX, SEL E-AE100, E-AE101 | |
| | GC10080 | Corolla/Sprinter (Levin & Trueno) E-AE86 | 1600cc | |
| | GC70080 | Corona RT80, 90 | 1500cc | |
| | GC10080 | Corona L-KT147V, AT140 | 1500cc | |
| | GC04010 | Corona AT150 | 1500cc | |
| | GC10080 | Corona E-AA60, E-AT140, L-KA67V | 1500cc | |
| | GC04010 | Corona AT150 | 1500cc FWD | |
| | GC04010 | Corona E-AT150, E-AT151, AT150 | 1500cc, 1600cc FWD | |
| | GC70080 | Corona RT100,106,110,116,87VK:TT100,106...,110 | 1600cc | |
| | GC70080 | Corona RT120:TT120 | 1600cc | |
| | GC10080 | Corona RT120:TT120, 125 | 1600cc | |
| | GC10080 | Corona RT130,AT141:TT130,133,137,138,140,147V | 1600cc | |
| | GC04010 | Corona E-AT177 | 1600cc | |
| GC04010 | Corona AT151, 160 | 1600cc FWD | | |
| GC10080 | Corona TT133, TT132 | 1600cc, 1800cc | | |
| GC10080 | Corona TT133, TT132 | 1600cc, 1800cc | | |




GMB CLUTCH RELEASE BEARING

| | |  |  |  |
|----------|--|---|---|---|
| OE Maker | | Clutch | Vehicle Model | Engine Type |
| TOYOTA | Corona | GC04010 | Corona E-AT150, E-AT151 | 1600cc, 1800cc |
| | | GC70080 | Corona RT100, RT102, RT104 | 1600cc, 1800cc, 2000cc |
| | | GC10080 | Corona RT100, RT102, RT104 | 1600cc, 1800cc, 2000cc |
| | | GC10080 | Corona TT140, TT141, CT140 | 1600cc, 1800cc, Diesel |
| | | GC10080 | Corona RT122, RT106:TT106..., RT104, 114, 118 | 1600cc, 2000cc |
| | | GC10080 | Corona RT130, TT130, 133, 137, 138, 140, RT131, 132, 133, 141 | 1600cc, 2000cc |
| | | GC10080 | Corona RT130, RT132 | 1600cc, 2000cc |
| | | GC04010 | Corona AT171, ST171, AT177 | 1600cc, 2000cc |
| | | GC33010 | Corona E-AT160, E-ST160, E-ST162, N-CT150 | 1600cc, 1800cc, 2000cc |
| | | GC70080 | Corona RT84, 94K | 1700cc |
| | | GC70080 | Corona RT102, 112, 117, 137:TT120 | 1800cc |
| | | GC10080 | Corona TT120, 121, 126, 131, 132:RT137 | 1800cc |
| | | GC10080 | Corona TT131, 132, 141, 142:ST140:CT140, 147:RT137 | 1800cc |
| | | GC10080 | Corona N-CT147V, ST140 | 1800cc |
| | | GC10080 | Corona E-TA63G, N-CT147V, E-TT142 | 1800cc |
| | | GC33010 | Corona E-CT150, E-ST150 | 1800cc |
| | | GC10080 | Corona L-YT140 | 1800cc |
| | | GC10080 | Corona E-ST140, E-SA60 | 1800cc |
| | | GC10080 | Corona N-CA67V | 1800cc |
| | | GC33010 | Corona ST150, 160 | 1800cc FWD |
| | | GC10080 | Corona N-CT141, L-YT140, E-ST140, SA60 | 1800cc, 2000cc |
| | | GC83010 | Corona E-ST170, 171, CT170, CT176V | 1800cc, 2000cc |
| | | GC70080 | Corona RT122 | 2000cc |
| | | GC10080 | Corona RT131, 132, 133, 141 | 2000cc |
| | | GC10080 | Corona N-CT141 | 2000cc |
| | | GC33010 | Corona E-ST151 | 2000cc |
| | | GC33010 | Corona N-CT170 | 2000cc |
| | | GC33010 | Corona N-CT150, ST151 | 2000cc FWD |
| | | GC33010 | Corona E-ST162 | 2000cc FWD |
| | | GC33010 | Corona E-ST162 | 2000cc FWD |
| | | GC33010 | Corona N-CT176V, ST170 | 1800cc, 2000cc |
| | | GC33010 | Corona N-CT170, CT177 | Diesel |
| GC10080 | Corona MK.II/Cressida | 1800cc | | |
| GC10080 | Corona MK.II/Cressida E-SX70, YX76V, SX60/70 | 1800cc | | |

| | |  |  |  |
|----------|----------|---|---|---|
| OE Maker | | Clutch | Vehicle Model | Engine Type |
| TOYOTA | Corona | GC71010 | Corona MK.II/Cressida E-SX80, SX80Y | 1800cc |
| | | GC70080 | Corona MKII/Cressida RX10, 11, 17, 21, 27, RX12, 15, 22, 28:MX10, 20, 27 | 1800cc, 2000cc |
| | | GC10080 | Corona MKII/Cressida E-SXE-GX60, E-GX61, E-MX61, N-LX65/60 | 1800cc, 2000cc, 2400cc |
| | | GC10080 | Corona MKII/Cressida SX70,SX70Y;GX71 | 1800cc, 2000cc, 2400cc |
| | | GC10080 | Corona MKII/Cressida L-TX67V, N-LX67V | 1800cc, 2200cc |
| | | GC71010 | Corona MKII/Cressida E-SX80, S-LX76V | 1800cc, 2400cc |
| | | GC10080 | Corona MKII/Cressida RX37:TX30,40,47,MX33,43 | 1800cc, 2600cc |
| | | GC10080 | Corona MKII/Cressida RX30,31,35,40,41,45 | 2000cc |
| | | GC10080 | Corona MK.II/Cressida GX71, E-GX70G, L-YX76V, YX72Y | 2000cc |
| | | GC60010 | Corona MK.II/Cressida YX80, YX80Y, E-GX70G | 2000cc |
| | | GC10080 | Corona MK.II/Cressida GX70, LX70, 76 | 2000cc, 2400cc |
| | | GC10080 | Corona MK.II/Cressida | 2000cc, 2200cc |
| | | GC10080 | Corona MK.II/Cressida | 2000cc, 2400cc |
| | | GC10080 | Corona MK.II/Cressida LX40,MX12,22,28,33,43,63, N-LX70/76V | 2200cc,2300cc,2400cc,2600cc, 2800cc |
| | | GC04010 | Corona, Carina II AT151 | 1600cc |
| | GC33010 | Corona, Carina II N-CT150, ST150 | 1800cc Diesel | |
| | Corsa | GC04010 | Corsa EL30, EL31 | 1300cc |
| | | GC10080 | Corsa E-AL20, E-AL21, E-AL25 | 1300cc, 1500cc |
| | | GC04010 | Corsa E-EL 30, E-EL31, E-NL31 | 1300cc, 1500cc |
| | | GC04010 | Corsa E-EL41, E-EL43, E-EL45, E-NL40 | 1300cc, 1500cc |
| | | GC10080 | Corsa E-AL10, E-AL12 | 1500cc |
| | | GC04010 | Corsa E-NL30, E-EL31 | 1500cc |
| | Cressida | GC10080 | Cressida RX30, RX60X, GX60X, RX70, RX71 | 2000cc |
| | | GC60010 | Cressida GX81, MX81 | 2000cc, 2800cc |
| | | GC10080 | Cressida RX72, RX73 | 2400cc |
| | | GC71010 | Cressida RX80, RX81, LX80 | 2400cc, Diesel |
| | | GC10080 | Cressida LX70, MX73, GX71 | 2000cc, 2800cc Diesel |
| | Cresta | GC10080 | Cresta E-SX70, E-SX70Y, E-GX71 | 1800cc, 2000cc |
| | | GC10080 | Cresta GX50, 51, 61, 71:LX60,70: SX70, TX50 | 1800cc,2000cc,2200cc,2400cc |
| | | GC10080 | Cresta E-SX60, E-GX61, E-MX61, N-LX65, N-LX60,E-GX60 | 1800cc, 2000cc, 2400cc |

GMB CLUTCH RELEASE BEARING

| | |  |  |  | |
|----------|---------|---|---|---|--------|
| OE Maker | | Clutch | Vehicle Model | Engine Type | |
| TOYOTA | Cresta | GC71010 | Cresta SX80, SX80Y;LX80, LX80Y | 1800cc, 2400cc | |
| | | GC60010 | Cresta GX81 | 2000cc | |
| | | GC10080 | Cresta E-GX60G, E-GX71, E-MX71, E-SX70, E/N-LX70 | 1800cc, 2000cc, 2400cc | |
| | Crown | GC60010 | Crown GS131, MS132, MS133, YS13 | | |
| | | GC70080 | Crown RS60:MS60, 62, 66, 70 | 2000cc | |
| | | GC70080 | Crown RS80, 100:MS80, 82, 87, 90 | 2000cc | |
| | | GC10080 | Crown RS90,105,110:MS100,102,105,107,110,117 | 2000cc | |
| | | GC10080 | Crown MS110, MS117, MS110, MS120:GS110, 117, 120, 121, RS110, YS120 | 2000cc 2000cc | |
| | | GC10080 | Crown E-GS120/G, 121, 126V, E-MS120, MS/YS130 | | |
| | | GC10080 | Crown L-GS126V, E-GS120G | 2000cc | |
| | | GC60010 | Crown E-GS130, 130G, 131, 131H, 136V, LS130G | 2000cc | |
| | | GC10080 | Crown E-MS120, E-GS120, E-GS120G, L-GS126V; N-LS120, N-LS126V | 2000cc, 2400cc | |
| | | GC70080 | Crown RS80, MS85 | 2000cc, 2600cc | |
| | | GC10080 | Crown RS110, MS111, MS112, LS110, RS80, MS85 | 2000cc,2600cc,2800cc&Diesel | |
| | | GC10080 | Crown YS120, MS122, MS123, LS120 | 2000cc,2400cc,2800cc&Diesel | |
| | | GC10080 | Crown LS100, 110., 117.. | 2200cc | |
| | | GC20080 | Crown MS64 | 2300cc | |
| | | GC10080 | Crown LS111, 120, 120G, N-LS120/G/126V | 2400cc | |
| | | GC71010 | Crown LS130, LS136V | 2400cc | |
| | | GC53010 | Crown LS131 | 2400cc | |
| | | GC71010 | Crown S-LS236V | 2400cc Diesel | |
| | | GC70080 | Crown E-MS63, 65, 68, 75, 83, 85, 88, 95, 101, 106 | 2600cc | |
| | | GC10080 | Crown E-MS83, 85, 88, 95, 101, 106 | 2600cc | |
| | | GC10080 | Crown E-MS111/112, MS122/123/125 | 2600cc, 2800cc, 3000cc | |
| | | GC71010 | Crown LS130 | Diesel | |
| | | Landcruiser | GC44010 | Landcruiser fzj80 | |
| | | | GC10080 | Landcruiser N-LJ71G, Q-LJ71G | 2400cc |
| | GC10080 | | Landcruiser RJ70, LJ70 | 2400cc & Diesel | |
| | GC71010 | | Landcruiser RJ70, LJ70 | 2400cc & Diesel | |
| | GC72080 | | Landcruiser P-BJ40, 43, 45 | 3000cc | |
| | GC01080 | | Landcruiser P-BJ40,42,43,45,46,60,61,61V,73V,75 | 3400cc | |
| | GC01080 | | Landcruiser P-BJ70, BJ70V | 3400cc | |

| | |  |  |  |
|----------|----------------|---|---|---|
| OE Maker | | Clutch | Vehicle Model | Engine Type |
| TOYOTA | Landcruiser | GC01080 | Landcruiser N-BJ46V, N-HJ60V | 3400cc |
| | | GC01080 | Landcruiser P-BJ73, P-BJ61 | 3400cc |
| | | GC21080 | Landcruiser P-BJ71, P-BJ74 | 3400cc |
| | | GC21080 | Landcruiser P-BJ71V | 3400cc |
| | | GC72080 | Landcruiser HJ45 | 3600cc |
| | | GC72080 | Landcruiser FJ40, 43, 45, 55V | 3900cc |
| | | GC11080 | Landcruiser FJ40, 43, 45, 55V | 3900cc |
| | | GC11080 | Landcruiser P-HJ60, P-HJ61 | 4000cc |
| | | GC11080 | Landcruiser FJ62 | 4000cc |
| | | GC11080 | Landcruiser P-HJ60V, P-HJ61V | 4000cc |
| | | GC11080 | Landcruiser FJ62; FJ70, 73, 75, HJ75 | 4000cc Diesel |
| | | GC21080 | Landcruiser FJ70, 73, 75, HJ75 | 4000cc Diesel |
| | | GC11080 | Landcruiser 40, 60, 75, FJ40, 43, 45, 55, 56, 60, 61, 62V, 65, 70, 73, 75; HJ40, 43, 45 | 4000cc, 4200cc |
| | | GC11080 | Landcruiser N-BJ46V, N-HJ60V; M-FJ61V | 4000cc, 4230cc |
| | | GC05010 | Landcruiser HZJ80 | 4200cc |
| | | GC05010 | Landcruiser HD380 | 4200cc Turbo Diesel |
| | | GC05010 | Landcruiser HZJ18V | 4200cc |
| | | GC11080 | Landcruiser FJ40, 43, 45, 55 | 4200cc |
| | | GC11080 | Landcruiser FJ40, 45, 60, HJ47, 60 | 4200cc & Diesel |
| | | GC11080 | Landcruiser FJ56, 56V | 4300cc |
| | | GC11080 | Landcruiser FJ60, 60V | 4300cc |
| | | GC01080 | Landcruiser BJ40, 42, 45, 60 | Diesel |
| | | GC01080 | Landcruiser BJ70, 73, 75 | Diesel |
| | GC11080 | Landcruiser BJ73 | Diesel | |
| | GC21080 | Landcruiser BJ71 | Diesel Turbo | |
| | MR2 | GC04010 | MR2 AW10, AW11 | 1500cc, 1600cc |
| | | GC33010 | MR2 SW20 | 2000cc |
| | Paseo | GC04010 | Paseo EL44, EL54 | 1300cc, 1500cc |
| | Previa | GC60010 | Previa | 2500cc |
| | Publica/Soarer | GC60010 | Soarer GZ20 | 2000cc |
| | | GC10080 | Soarer E-GZ10, E-GZ20, E-MZ10/11, E-MZ11/12/20 | 2000cc, 2800cc, 3000cc |
| | Sprinter | GC04010 | Sprinter E-EE80 | 1300cc, 1500cc |
| GC04010 | | Sprinter E-EE90 | 1300cc | |
| GC04010 | | Sprinter E-EE96V, E-EE98V | 1300cc, 1500cc | |

GMB CLUTCH RELEASE BEARING



| OE Maker | Clutch | Vehicle Model | Engine Type | |
|----------|----------|---------------|--|------------------------|
| TOYOTA | Sprinter | GC04010 | Sprinter E-AE80 | 1500cc |
| | | GC04010 | Sprinter E-AE91 | 1500cc |
| | | GC04010 | Sprinter E-AE81 | 1500cc, 1600cc |
| | | GC04010 | Sprinter E-AE82 | 1500cc, 1600cc |
| | | GC10080 | Sprinter E-AE86 | 1600cc |
| | | GC33010 | Sprinter N-CE80 | 1800cc |
| | | GC33010 | Sprinter N-CE90 | 1800cc |
| | | GC33010 | Sprinter N-CE96V | 1800cc |
| | | GC10080 | Sprinter Carib | 1500cc |
| | | GC10080 | Sprinter Trueno | 1600cc |
| | Starlet | GC04010 | Starlet EP70 | 1000cc |
| | | GC04010 | Starlet EP80, WP80, EP81 | 1000cc, Diesel, 1300cc |
| | | GC20080 | Starlet KP42, 47, 51 | 1200cc/GBX:5 RWD |
| | | GC04010 | Starlet EP71, EP76V | 1300cc |
| | | GC04010 | Starlet EP85 | 1300cc |
| | | GC04010 | Starlet EP71, 71(EFI), 76V | 1300cc FWD |
| | | GC04010 | Starlet EP82, NP80 | 1300cc, 1500cc |
| | | GC04010 | Starlet N-NP70, N-NP76V | 1500cc |
| | Supra | GC60010 | Supra GA70, GA70H | 2000cc |
| | | GC10080 | Supra MA70 | 2000cc DOHC |
| | | GC10080 | Supra E-GA70, E-MA70 | 2000cc, 3000cc |
| | Tercel | GC04010 | Tercel E-EL30, E-EL31 | 1300cc |
| | | GC10080 | Tercel E-AL11, E-AL25Z | 1300cc, 1500cc |
| | | GC10080 | Tercel E-AL20, E-AL21 | 1300cc, 1500cc |
| | | GC04010 | Tercel E-EL30, N-EL31, N-NL31 | 1300cc, 1500cc |
| | | GC04010 | Tercel E-EL41, E-EL43, E-EL45, N-NL40 | 1300cc, 1500cc |
| | | GC10080 | Tercel E-AL25G | 1500cc |
| | | GC10080 | Tercel E-AL25 | 1500cc |
| | | GC10080 | Tercel E-AL21 | 1500cc |
| | | GC04010 | Tercel N-NL30 | 1500cc |
| | Vista | GC33010 | Vista N-CV10 | 1800cc |
| | | GC33010 | Vista E-SV22 | 1800cc |
| | | GC33010 | Vista E-SV10, 11, 12, SV21, N-CV20, N-CV11 | 1800cc, 2000cc |
| | | GC33010 | Vista N-CV20 | 2000cc |
| | | GC83010 | Vista N-CV30, E-SV30 | 2000cc |

| | |  |  |  | |
|----------|-----------------------|---|---|---|---------------------------|
| OE Maker | Clutch | Vehicle Model | Engine Type | | |
| TOYOTA | BUV/Tamano /Kijang | GC70080 | BUV/Tamano/Kijang Pick Up KF10 | 1200cc | |
| | | GC10080 | BUV/Tamano/Kijang Pick Up KF20, RF30, LF20, 30 | 1300cc, 1600cc, 2200cc | |
| | Coaster | GC11080 | Coaster N-HB30, N-HB36V | | |
| | | GC21080 | Coaster N-HB30, N-HB36V | | |
| | | GC01080 | Coaster N-BB21, N-26V, N-36V | | |
| | | GC21080 | Coaster N-HB31 | | |
| | | GC52010 | Coaster HZB50 | | |
| | | GC81080 | Coaster RU18 | 2000cc | |
| | | GC21080 | Coaster RU18 | 2000cc | |
| | | GC91080 | Coaster RU19 | 2000cc | |
| | | GC10080 | Coaster RB10, 11, 12 | 2000cc, 2200cc | |
| | | GC10080 | Coaster RB13, 20 | 2400cc | |
| | | GC10080 | Coaster RB26V | 2400cc | |
| | | GC72080 | Coaster BU19 | 3000cc | |
| | | GC01080 | Coaster BB10, 11, 20, 21, 30, 31:BU32 | 3200cc, 3400cc | |
| | | GC01080 | Coaster BB31, BB36V | 3400cc | |
| | | GC94010 | Coaster BB23, 24 | 3700cc | |
| | | GC11080 | Coaster HB30 | 4000cc | |
| | | GC21080 | Coaster HB30, 31, 32, HB36V | 4000cc | |
| | | GC21080 | Coaster HB36V, HB30, 31, 32 | 4000cc - /GBX:5 | |
| | | GC21080 | Coaster FB30, HB30 | 4000cc & Diesel | |
| | | GC01080 | Coaster BB10, BB20 | Diesel | |
| | | Dyna | GC10080 | Dyna YY50, YH80 | 1600cc |
| | | | GC10080 | Dyna M-YY50, M-YY52/61, N-LY50, N-LY60; YU60, 61, 70, 80; M-YU61 | 1.25, 1, 5t; 1800cc; 2.0t |
| | | | GC91080 | Dyna RU10, 12, 15 | 2000cc |
| | | | GC10080 | Dyna RU20, RU25, RU30, RU35 | 2000cc |
| | | | GC10080 | Dyna YU60 | 2000cc |
| | | | GC10080 | Dyna RU22,32,2,YU60,61,70,80:YY52,61:LY50,60 | 2000cc, 2400cc |
| | GC81080 | | Dyna RU10, 12, 15; JU10, 12, 15 | 2000cc, 2500cc | |
| | GC10080 | | Dyna YU62, 63, 71, 81 | 2200cc | |
| | GC71010 | | Dyna LY50, YY61 | 2200cc, 2400cc | |
| | GC72080 | | Dyna JU10, 12, 15 | 2500cc | |
| GC70080 | Dyna JU10, 12, 15, 20 | | 2500cc | | |
| GC72080 | Dyna LY51 | | 2800cc | | |

GMB CLUTCH RELEASE BEARING



| OE Maker | Clutch | Vehicle Model | Engine Type | |
|----------|---------------------------|---------------|---|----------------|
| TOYOTA | Dyna | GC94010 | Dyna BU60, BU70V, BU70VH, BU80, BU61, BU81, BU83, BU84 | 3000cc |
| | | GC01080 | Dyna N-BU22, N-BU60/61/70/23, P-BU62/64/85 | 2.0 - 3.0t |
| | | GC10080 | Dyna M-YU60, N-YU70, M-RU22 | 2.0t |
| | | GC72080 | Dyna BU10, BU12, BU15 | 3000cc |
| | | GC01080 | Dyna BU20, BU25, BU30, BU35 | 3000cc |
| | | GC21080 | Dyna BU83, BU84 | 3000cc |
| | | GC01080 | Dyna BU2., 3., 4., 5., 6., 7., 8.:BU31 | 3000cc, 3200cc |
| | | GC01080 | Dyna BU60, BU61; BU62, BU62D | 3000cc, 3400cc |
| | | GC01080 | Dyna BU2., 3., 4., 5., 6., 7., 8.:BU62, 64, 70, 82, 93 | 3400cc |
| | | GC01080 | Dyna BU85 | 3400cc |
| | | GC21080 | Dyna BU85, 90, 95 | 3400cc Turbo |
| | | GC61080 | Dyna HU15, 30 | 3600cc |
| | | GC94010 | Dyna BU66D, BU66H, BU67D, BU78, BU87V, BU88, BU91, BU96, NU94 | 3700cc |
| | | GC21080 | Dyna BU78,87,87V,91,96,BU66,66D,78,87,87V,91 | 3700cc |
| | | GC21080 | Dyna N-BU90, 95, 93, 98 | 3.0 -3.5t |
| | | GC11080 | Dyna P-WU75, 90, 95 | 3.0 -3.5t |
| | | GC11080 | Dyna P-WU75D | 3.5t |
| | | GC21080 | Dyna P-BU95 | 3.5t |
| | | GC11080 | Dyna P-WU26D, P-WU50 | 3.5, 3.75t |
| | | GC11080 | Dyna WU26, 40, 50, 70, 75, 90, 95 | 4000cc |
| | | GC61080 | Dyna HU30 | Diesel |
| | | GC01080 | Dyna BU20, 30 | Diesel |
| | | GC01080 | Dyna BU31 | Diesel |
| | | GC01080 | Dyna BU32 | Diesel |
| | | GC11080 | Dyna HU40, 50 | Diesel |
| | | GC01080 | Dyna BU60, BU61, BU63, BU80, BU81 | Diesel |
| | | GC10080 | Dyna 100 YH80 | 1600cc |
| | | GC60010 | Dyna 100 YH81 | 1800cc |
| | | GC10080 | Dyna 100 LH81, YH81 | 1800cc Diesel |
| | | GC71010 | Dyna 100 LH80 | 1800cc Diesel |
| | | GC10080 | Dyna 150 YY51, YY60 | 1800cc |
| | | GC10080 | Dyna 150 YY52, YY61, LY60 | 2000cc Diesel |
| GC71010 | Dyna 150 YY52, YY61, LY60 | 2000cc Diesel | | |

| | |  |  |  |
|----------|-------|---|---|---|
| OE Maker | | Clutch | Vehicle Model | Engine Type |
| TOYOTA | Dyna | GC10080 | Dyna 150 LY60, YY61, YU62, 81, 82, RU85 | 2000cc,2200cc,2400ccDiesel |
| | | GC71010 | Dyna 150 LY61 | Diesel |
| | | GC01080 | Dyna 200 BU83, 84 | Diesel |
| | | GC21080 | Dyna 200 BU60, 61, 80, 81, 83, 84, 85, 88, 91, 96 | Diesel |
| | Hiace | GC81080 | Hiace RH10, 11, 16 | 1350cc, 1600cc |
| | | GC91080 | Hiace RH10 | 1350cc, 1600cc |
| | | GC91080 | Hiace RH11, 16 | 1600cc |
| | | GC91080 | Hiace RH11 | 1600cc |
| | | GC70080 | Hiace RH11, 13, 16, 20, 24, 30, 34, 40 | 1600cc |
| | | GC10080 | Hiace YH80 | 1600cc |
| | | GC70080 | Hiace RH11, 13, 16, 20, 24, 30, 34, 40 | 1600cc, 2000cc & Diesel |
| | | GC70080 | Hiace RH11, 20, 30, 22, 32, 42, LH11, 20, 30 | 1600cc, 2000cc & Diesel |
| | | GC10080 | Hiace RH11, 13, 16, 20, 22, 24, 30, 34, 40 | 1600cc, 2000cc & Diesel |
| | | GC70080 | Hiace RH12, 14, 17, 21, 31, 41 | 1800cc |
| | | GC10080 | Hiace YH50V, 60V | 1800cc |
| | | GC60010 | Hiace YH50V | 1800cc |
| | | GC60010 | Hiace YH81 | 1800cc |
| | | GC10080 | Hiace M-YH51G, M-YH61G, M-YH50V, YH50, YH60 | 1800cc, 2000cc |
| | | GC70080 | Hiace RH22, 25, 32, 42:RG23G, 33G | 2000cc |
| | | GC10080 | Hiace RH35, 45:RG23G, 33G:YH51G, 52V, 61G, 62V, 71V, 2000 | 2000cc |
| | | GC10080 | Hiace E-YH51G, E-YH51V, M-YH71V | 2000cc |
| | | GC60010 | Hiace E-YH52V | 2000cc |
| | | GC60010 | Hiace RZH100G, 102V, 110G | 2000cc |
| | | GC10080 | Hiace YH51, YR61, YR63 | 2000cc, 2200cc |
| | | GC60010 | Hiace YH51, YR61, YR63 | 2000cc, 2200cc |
| | | GC10080 | Hiace M-YH61V, N-LH60G, N-LH60V | 2000cc, 2400cc |
| | | GC60010 | Hiace RZH102, 103, 109, 112, 113, 119 | 2000cc, 2400cc |
| | | GC70080 | Hiace LH11, 20, 24, 30, 40 | 2200cc |
| | | GC10080 | Hiace N-LH24, N-LH24HV, LH50, LH60, E-YH51G, N-LH50G | 2200cc1.0t Diesel, 2000cc, 2400cc |
| | | GC10080 | Hiace LH11,20,24,30,40,50G,50V,51,60G,60V,70V; RH24 | 1600cc, 2000cc |
| | | GC10080 | Hiace N-LH61G, 71B, 51V, 51G, 61V, N-LH50G | 2200cc, 2400cc |
| | | GC10080 | Hiace LH51G, 61G, 61V, 71G, 71V, 80, 80VH, 151 | 2400cc |

GMB CLUTCH RELEASE BEARING



| OE Maker | Clutch | Vehicle Model | Engine Type | | | |
|----------|---|---------------|--|-----------------------------|------------------|--------|
| TOYOTA | Hiace | GC10080 | Hiace N-LH51, N-LH61G, N-LH71, N-LH61V, N-LH80 | 2400cc | | |
| | | GC71010 | Hiace LH80, LH80VH | 2400cc | | |
| | | GC10080 | Hiace N-LH56, N-LH66 | 2400cc | | |
| | | GC71010 | Hiace LH100G, LH102V, LH85, U-LH80VH, U-LH85 | 2400cc 4WD(Diesel) | | |
| | | GC10080 | Hiace LH50, LH60, LH51, LH61 | Diesel | | |
| | | GC71010 | Hiace LH51, LH61 | Diesel | | |
| | | GC71010 | Hiace LH102, 108, 112, 118 | Diesel | | |
| | | GC91080 | Hiace Bus RH11B, 16B | 1600cc | | |
| | | GC70080 | Hiace Bus RH11B, 16B, 20B, 30B, 40B | 1600cc | | |
| | | GC80010 | Hiace Bus YH60B, YH50 | 1800cc | | |
| | | GC70080 | Hiace Bus RH22B, 32B, 42B | 2000cc | | |
| | | GC10080 | Hiace Bus RH22B, 32B, 42B | 2000cc | | |
| | | GC10080 | Hiace Bus YH71B:LH60B, 61B, 70B, 71B | 2000cc, 2200cc, 2400cc | | |
| | | TOYOTA | Hilux | GC91080 | Hilux RN20, RN25 | 1600cc |
| | | | | GC91080 | Hilux RN13, RN16 | 1600cc |
| GC70080 | Hilux RN20, 25, 30, 33, 34, 40, 43 | | | 1600cc | | |
| GC70080 | Hilux RN20, RN25 | | | 1600cc | | |
| GC10080 | Hilux RN30, 40, LN30, 40 | | | 1600cc & Diesel | | |
| GC70080 | Hilux RN30, 40, LN30, 40; RN36, RN46 | | | 1600cc & Diesel, 2000cc 4WD | | |
| GC10080 | Hilux RN33, 34, 35, 40, 44, 45:YN50, 51, 55, 56, 61 | | | 1600cc, 1800cc | | |
| GC10080 | Hilux YN50, 52, 55, 57, LN50, 51, 55, 56 | | | 1600cc, 2000cc & Diesel | | |
| GC10080 | Hilux L-YN51, L-YN56; N-LN55, 50, 56 | | | 1800cc 1.0t, 2200cc 1.0t | | |
| GC10080 | Hilux YH81, LH80 | | | 1800cc Diesel | | |
| GC60010 | Hilux YN80, 81, 85, 86, 87, 92 | | | 1800cc,2000cc,2200cc,2WD | | |
| GC70080 | Hilux RN22 | | | 2000cc | | |
| GC70080 | Hilux RN31, 36, 39, 41, 46 | | | 2000cc | | |
| GC10080 | Hilux RN31, RN41 | | | 2000cc | | |
| GC10080 | Hilux RN31, 36, 39, 41, 46:YN57, 61, 61G, 65 | | | 2000cc | | |
| GC10080 | Hilux YN60 | | | 2000cc | | |
| GC10080 | Hilux E-YN60, E-YN65, E-YN61G.V | | | 2000cc | | |
| GC10080 | Hilux YN61G, YN61V, YN65 | | | 2000cc | | |
| GC10080 | Hilux YN60, YN65 | | | 2000cc 4WD | | |
| GC10080 | Hilux RN36, RN46; RN30, 40, LN30, 40 | | | 1600cc&Diesel,2000cc4WD | | |
| GC10080 | Hilux L-RN39; K-LN36, K-LN46 | | | 2000cc, 2200cc | | |
| GC10080 | Hilux N-LN41, 51, 56, N-YN51, 56, N-LN61 | | | 2000cc, 2400cc | | |

| | |  |  |  | |
|----------|---------|---|---|---|------------------------|
| OE Maker | | Clutch | Vehicle Model | Engine Type | |
| TOYOTA | Hilux | GC10080 | Hilux L-YN65, L-YN60V; LN60, 65 | 2000cc, Diesel 4WD | |
| | | GC70080 | Hilux LN30, 40 | 2200cc | |
| | | GC10080 | Hilux N-LN40; L-RN35, L-RN45 | 1600cc, 2200cc | |
| | | GC10080 | Hilux YN67 | 2200cc 4WD | |
| | | GC10080 | Hilux LN30, 40, 60., 65 | 2200cc, 2400cc, 2500cc | |
| | | GC10080 | Hilux N-LN60, N-LN65 | 2400cc | |
| | | GC71010 | Hilux RN80, 85 LN80, 85, 90 | 2400cc & Diesel 2WD | |
| | | GC10080 | Hilux LN41, LN51, LN56; RN35, RN45 | 1600cc, 2400cc | |
| | | GC63010 | Hilux LN105, 106, 108, 110, 111 | 2800cc | |
| | | GC60010 | Hilux LN100, LN106, LN80, YN85, 90, 106, 110 | 2400cc, 2800cc | |
| | | GC10080 | Hilux LN36, LN46 | Diesel | |
| | | LiteAce | GC20080 | LiteAce KM10 | 1200cc |
| | | | GC70080 | LiteAce KM10 | 1200cc |
| | | | GC70080 | LiteAce KM11 | 1200cc, 1300cc |
| | | | GC10080 | LiteAce KM20 | 1300cc |
| | | | GC10080 | LiteAce KM35V | 1300cc |
| | | | GC10080 | LiteAce KM50 | 1300cc |
| | | | GC10080 | LiteAce L-YM20V;L-KM21,L-KM21V;E-YM21G | 1300cc, 1600cc, 1800cc |
| | | | GC10080 | LiteAce KM11,20,21,30G,31V,35V,36V,37G;YM20,25 | 1300cc, 1500cc, 1600cc |
| | | | GC10080 | LiteAce E-KM21, E-YM25 | 1300cc, 1600cc |
| | | | GC10080 | LiteAce E-KM30G, E-KM36V | 1500cc |
| | | | GC10080 | LiteAce E-KM31V | 1500cc |
| | | | GC10080 | LiteAce KM36, KM37M, YM31 | 1500cc, 1800cc |
| | | | GC60010 | LiteAce KM30G, CM36V | 1500cc, 2000cc |
| | | | GC10080 | LiteAce CM30G, KM36V, CM31V | 1500cc, 2000cc |
| | | | GC70080 | LiteAce KM11 | 1800cc |
| | | | GC10080 | LiteAce TMG20 | 1800cc |
| | | | GC10080 | LiteAce E-YM30G | 1800cc |
| | | | GC60010 | LiteAce YM30G | 1800cc |
| | | | GC10080 | LiteAce YM30 | 1800cc |
| | | | GC60010 | LiteAce CM50 | 1800cc |
| | | | GC10080 | LiteAce YM60, YM65 | 1800cc |
| | GC60010 | LiteAce YM31V | 1800cc | | |
| | GC10080 | LiteAce L-CM25 | 1800cc | | |
| | GC10080 | LiteAce TM20 YM21G,30G,31V;CM20,30G,35V | 1800cc, 2000cc | | |

GMB CLUTCH RELEASE BEARING



| OE Maker | Clutch | Vehicle Model | Engine Type | |
|----------|-------------------------------------|----------------|---|------------------------|
| TOYOTA | LiteAce | GC10080 | LiteAce L-YM60, E-YM40G, N-CM20, N-CM26 | 1800cc, 2000cc |
| | | GC10080 | LiteAce N-CM30G, N-CM60 | 2000cc |
| | | GC10080 | LiteAce N-CM40G | 2000cc |
| | | GC10080 | LiteAce N-CM40G, 60 | 2000cc 4WD Diesel |
| | | GC60010 | LiteAce CM51, CM55, CM60; KM51; YM55 | 1500cc, 1800cc, 2000cc |
| | | GC10080 | LiteAce CM20 | Diesel |
| | | GC10080 | LiteAce CM35 | Diesel |
| | | GC60010 | LiteAce YM30, CM36 | Diesel, 1800cc |
| | Master-Ace /Mini-Ace /Model F | GC60010 | Master-Ace E-YR20G, E-YR28G | 1800cc |
| | | GC10080 | Master-Ace E-YR20G, E-YR21G | 1800cc, 2000cc |
| | | GC10080 | Master-Ace E-YR28G, E-YR30G, E-YR38G, N-CR30G, N-CR36V | 1800cc, 2000cc |
| | | GC60010 | Master-Ace E-CR21G, E-CR28G, E-YR21G | 2000cc |
| | | GC10080 | Master-Ace N-CR21G, N-CR28G | 2000cc |
| | | GC60010 | Master-Ace E-CR37G | 2000cc |
| | | GC10080 | Model-F YR20, YR21, YR31 | 1800cc, 2000cc, 2200cc |
| | | GC60010 | Model-F YR21, YR22, YR31 | 2000cc, 2200cc |
| | Stout | GC10080 | Model-F YR31, CR21 | 2200cc 4WD Diesel |
| | | GC91080 | Stout RK101 | 2000cc |
| | | GC70080 | Stout RK110 | 2000cc |
| | | GC10080 | Stout RK111 | 2000cc |
| | | GC10080 | Stout RK110 | 2000cc |
| | | GC81080 | Stout RK101 | 2000cc |
| | | GC10080 | Stout YK110 | 2000cc |
| | TownAce | GC71010 | Stout YK110 | 2200cc |
| | | GC10080 | TownAce L-KM21 | 1300cc |
| | | GC60010 | TownAce L-KM50 | 1300cc |
| | | GC60010 | TownAce L-KM51; YM55, YM60; CM60, CM65 | 1500cc, 1800cc, 2000cc |
| | | GC10080 | TownAce YR26V | 1600cc |
| | | GC10080 | TownAce L-YM25, L-YR26V, N-CR26V, N-CM25 | 1600cc, 1800cc, 2000cc |
| | | GC60010 | TownAce E-YR20G | 1800cc |
| | | GC60010 | TownAce CM50 | 1800cc |
| | | GC10080 | TownAce E-YR21G | 1800cc, 2000cc |
| GC10080 | TownAce N-CR27V | 1800cc, 2000cc | | |
| GC10080 | TownAce N-CM20, N-CM26 | 1800cc, 2000cc | | |

| | |  |  |  |
|---------------|------------------|---|---|---|
| OE Maker | | Clutch | Vehicle Model | Engine Type |
| TOYOTA | TownAce | GC60010 | TownAce E-YR28G, N-CR21G, E-YR25V, N-CR27V | 1800cc, 2000cc |
| | | GC10080 | TownAce E-YR21G, N-CR21G, N-CR28G | 2000cc |
| | | GC60010 | TownAce YR30G, YR36G | 2000cc |
| | | GC10080 | TownAce CR30G, CR36V | 2000cc |
| | | GC60010 | TownAce CR28G, CR37G, CM51 | 2000cc |
| | | GC10080 | TownAce E-YR30G, E-YR38G, N-CR30G, N-CR36V; E-KM21, E-YM25 | 1300cc, 1600cc, 2000cc |
| | | GC70080 | TownAce/Model F KR10, KR11, KR12 | 1200cc, 1300cc |
| | | GC10080 | TownAce/Model F KR12 | 1300cc |
| | | GC70080 | TownAce/Model F RR11, 20, 21:TR10, 11 | 1600cc |
| | | GC10080 | TownAce/Model F RR11, 21, TR11, TR15 | 1600cc |
| | ToyoAce | GC10080 | ToyoAce PY10 | 1350cc |
| | | GC81080H | ToyoAce RY10, 12, 14 | 1600cc |
| | | GC91080 | ToyoAce RY10, 12, 14 | 1600cc |
| | | GC70080 | ToyoAce RY10, 12, 14, 20, 30 | 1600cc |
| | | GC10080 | ToyoAce RY20, 30 | 1600cc |
| | | GC10080 | ToyoAce RY21, YY50 | 1600cc |
| | | GC70080 | ToyoAce RY20, 30, 31, LY20, JY30 | 1600cc,2000cc&Diesel,2500cc |
| | | GC10080 | ToyoAce RY20, 30, 31, LY20, JY30 | 1600cc,2000cc&Diesel,2500cc |
| | | GC10080 | ToyoAce M-RY32, M-RY21, N-LY20, N-LY30 | 1600cc,2000cc,2200cc,2400cc |
| | | GC10080 | ToyoAce M-YY50,M-YY52,M-YY/YU61,N-LY50, N-LY/M-YU60/70 | 1800cc |
| | | GC71010 | ToyoAce M-YY51 | 1800cc |
| | | GC72080 | ToyoAce RY16 | 2000cc |
| | | GC70080 | ToyoAce RY16, 31 | 2000cc |
| | | GC10080 | ToyoAce RY31, 32 | 2000cc |
| | | GC10080 | ToyoAce YU60 | 2000cc |
| | | GC10080 | ToyoAce YY52, 61 | 2000cc |
| | | GC70080 | ToyoAce LY20, 30 | 2200cc |
| | | GC10080 | ToyoAce LY20, 30 | 2200cc |
| | | GC10080 | ToyoAce N-LY31, LY21, 31, 60, LY50 | 2200cc, 2400cc |
| | | GC72080 | ToyoAce JY16 | 2500cc |
| GC70080 | ToyoAce JY16, 30 | 2500cc | | |
| GC10080 | ToyoAce JY30 | 2500cc | | |

GMB CLUTCH RELEASE BEARING



| OE Maker | Clutch | Vehicle Model | Engine Type | |
|------------|----------|-------------------------|--|--------------------------|
| TOYOTA | ToyoAce | GC01080 | ToyoAce N-BU60, 61, 70, P-BU62, 64 | 2500cc |
| | | GC01080 | ToyoAce BY30, 31, 3 | 3000cc |
| | | GC01080 | ToyoAce BU60, BU60VH | 3000cc |
| | | GC94010 | ToyoAce BU60, BU61, BU83, BU84 | 3000cc |
| | | GC01080 | ToyoAce N-BY31, BU62, BU64, BU64D | 3000cc, 3400cc |
| | | GC21080 | ToyoAce BU90, BU93, BU68DH, BU78 | 3400cc, 3700cc |
| | | GC94010 | ToyoAce BU66 | 3700cc |
| | | GC94010 | ToyoAce BU67, BU78, BU87, BU88, BU91, BU94, BU96 | 3700cc |
| | | GC21080 | ToyoAce BU66, BU66D | 3700cc |
| | | GC21080 | ToyoAce N-BU90, 95, 93, 98 | 3.0 - 3.5t |
| | | GC11080 | ToyoAce P-WU75, 90, 95 | 3.0 - 3.5t |
| | | GC21008 | ToyoAce WU90, WU95 | 4000cc |
| | | GC42010 | ToyoAce WU85 | 4000cc |
| | | GC62010 | ToyoAce WU75D | 4000cc |
| | | GC71010 | ToyoAce U-LY51, 61, M-YY52, 61 | Diesel/Gasoline |
| VAUXHALL | | GC80010 | Astra 1.8 | GBX:F16 |
| | | GC80010 | Astra 2.0 | GBX:F16 |
| | | GC80010 | Astra Diesel | |
| | Belmont | GC80010 | Belmont 1.8 | GBX:F16 |
| | | GC80010 | Belmont 2.0 | GBX:F16 |
| | | GC80010 | Belmont 1.6 Diesel | |
| | Calibra | GC80010 | Calibra | |
| | Cavalier | GC80010 | Cavalier 1.6 | GBX:F16 |
| | | GC80010 | Cavalier 1.8 | GBX:F16, F18 |
| | | GC80010 | Cavalier 2.0 | |
| | | GC80010 | Cavalier 2.0 16V | |
| | | GC80010 | Cavalier 2.5 V6 | |
| | | GC80010 | Cavalier 1.6 Diesel | 16DA-1586cc Mot 14498631 |
| | | GC80010 | Cavalier 1.7 Turbo Diesel | |
| | Frontera | GC31010 | Frontera 2.8 Turbo Diesel | |
| | Vectra | GC80010 | Vectra 1.8 | |
| | | GC80010 | Vectra 2.0; 2.0 16V | |
| GC80010 | | Vectra 2.5 | | |
| GC80010 | | Vectra 1.7 Turbo Diesel | | |
| VOLKSWAGEN | Passat | GC03010 | Passat 1.3 | |

PART 4

Item Reference Table

GMB

GMB CLUTCH RELEASE BEARING

Item Reference Table

| GMB | SKF | KOYO | NSK | NTN | NACHI | BCA | SACHS | VALEO |
|---------|---------|--|---|---|-----------------------------|--------|------------------------------|------------------|
| GC00110 | VKC2181 | | | | | | 3151 199 001 3151 015 301 | |
| GC00210 | | | | | | | | |
| GC01010 | VKC3554 | RCR37SA1 | 48TKA3214 | FCR50-10/2E | | 613078 | 1863 805 002 | |
| GC01080 | VKC3523 | RCTS45 RCT4500 | 45TKD07U3 TK45-15U3 | SF0940/2E | BC6S | 616106 | | |
| GC01110 | | | | | | | 3151 119 001 | |
| GC01210 | VKC2238 | | | | | | 3151 809 002 | |
| GC02010 | VKC3610 | | | FCR62-11/2E FCR62-29/2E FCR62-29-5/2E FCR62-29-7/2E | | 614157 | 3151 863 001 | |
| GC02080 | VKC3519 | 40TMK20-1S 40TNK20 | 40TMK20B 40TMK20B1U3 40TNK20AK2 | 40TMK20 40TNK20 | 40TNK20 40TMK20 | 614038 | | |
| GC02110 | VKC3551 | RCT33SA4 | 38TKA2801A | FCR38-1/2E | | 614510 | 3151 828 001 | |
| GC02210 | | CBU442822G+C | 44TKB2805BR | FCR44-25-4/2E | | 614110 | 3151 884 001 | |
| GC03010 | VKC2091 | | | | | | 3151 193 041 | 355538 358273 |
| GC03080 | | | | | | | | |
| GC03110 | VKC3613 | | | FCR62-42-4/2E | | 614159 | 3151 861 002 | |
| GC03210 | | | | | | | 3400 005 035 | |
| GC04010 | VKC3556 | RCT337SA3 RCTS335SA4 | 50TKA3305R 50TKA3305RU3 50TKB3301BR | FCR50-20 | 50SCRN28P-5 | 614043 | 3151 851 001 | |
| GC04080 | | | | | | | | |
| GC04110 | | | | | | 614060 | | |
| GC05080 | | | | | | | | |
| GC06010 | | | | | | | | |
| GC06080 | | | | | | | | |
| GC06110 | VKC3584 | | 60TKB3502AR | | | 614084 | 3151 876 001 | |
| GC07010 | VKC2080 | | WF24=1 | | | 614012 | 3151 151 241 | |
| GC07110 | | | | | | | | |
| GC08010 | VKC2189 | | | | | | 3151 846 001 | |
| GC08110 | VKC3600 | | | FCR54-13/2E FCR54-19/2E FCR54-47-2/2E FCR54-48/2E FCR54-48-3/2E | | 614079 | | |
| GC09010 | | | 44TKZ2801BR | | | | | |
| GC09110 | VKC2191 | | | | | | 3151 847 001 | |
| GC10000 | VKC3502 | | | | | | | |
| GC10010 | VKC3578 | CBU442822G+C | 44TKB2805BR | FCR44-25-4/2E | | 614110 | | |
| GC10020 | VKC3620 | | | | | | | |
| GC10080 | VKC3502 | RCT40 RCTS4067A2RS RCTS4067A2RR5 | 40TKD03U3 40TKD05U3 40TKD07U3 TK40-16AU3 | SF0845/2E SF0859/2E | 40TRK30W1SB 40TRBC07-7SB | 613010 | 1863 836 001 | |
| GC10110 | VKC2260 | | | | | | 3151 066 032 | |
| GC10210 | VKC5006 | | | | | | | |
| GC11010 | VKC3609 | CBU472921C | | FCR47-8-3/2E | 47SCRN35-P6 | 614128 | | PRB-10 |
| GC11080 | VKC3575 | RCT52S | TK52Z-1C | 50TMK804/2E | 052TRBC09-7SB | 613008 | | |

Item Reference Table

| GMB | SKF | KOYO | NSK | NTN | NACHI | BCA | SACHS | VALEO |
|---------|----------|--------------------------|-------------------------|---|----------------------------|--------|------------------------------|--------|
| GC11110 | | | | | | | 1850 282 127 | |
| GC11210 | VKC5052H | | | | | | | |
| GC12010 | VKC3581 | | | FCR62-13/2E FCR62-32-10/2E FCR62-32-11/2E FCR62-32-12/2E FCR62-32-1/2E FCR62-32-2E | | 614049 | 3151 854 001 | |
| GC12080 | VKC3661 | 62TMK20-1 | | | | | | |
| GC12110 | VKC3598 | RCTS33SA4 | 62TKA3311 | FCR62-33-4/2E | | 614048 | 3151 829 001 | |
| GC13080 | | | | | | | | |
| GC13110 | VKC2144 | | WF34=1 | | | | 3151 803 001 | |
| GC13210 | | | | | | | | |
| GC14080 | | | | | | | | |
| GC14110 | VKC3654 | | 47TKB3101B | | 47SCRN40P | 614122 | 3151 906 001 | |
| GC15010 | | 48RCT3301 | | | | | | |
| GC15080 | | | | | | | | |
| GC15110 | | | | | | | | |
| GC16010 | | | | | | | | |
| GC16080 | | | | | | | | |
| GC16110 | VKC2183 | | | | | | 3151 895 001 3151 895 002 | |
| GC18010 | VKC3666 | | | | | | 3151 994 601 | |
| GC18110 | | | | | | | | |
| GC19010 | | | | | | | | |
| GC20010 | VKC3564 | RCTS338SA1 RCTS338SA2 | 50TKB3304 50TKE3301 | FCR50-30-2 FCR50-20/2E | | 614056 | 3151 818 001 | PRB-07 |
| GC20020 | VKC3674 | | | | | | 3151 994 501 | |
| GC20020 | VKC3674 | | | | | | 3151 994 501 | |
| GC20080 | VKC3505 | RCT38SL1 | 24TK308B2U3 | SF0816/2E | BC12S4SB | 1496 | 1850 282 709 1863 805 001 | 359217 |
| GC20110 | VKC5215 | | | | | | 3151 044 031 | |
| GC20210 | VKC3556 | RCT337SA3-1 | 50TKB3301BR | FCR50-20 | 50SCRN28P-5 | | | |
| GC21010 | VKC3507 | RCT363SA RCT363SA-1 | 54TKAE3602 54TKB3604 | FCR54-10/2E FCR-54-33-1/2E FCR54-2/2E FCR54-46-2/2E FCR54-58/2E | 54SCRN42P | 614067 | 3151 600 515 3151 807 001 | |
| GC21080 | VKC3548 | RCTS45A | 45TKD10U3 | 45TRBC07-13SB | 45TRBC07-13SB | | | |
| GC21110 | VKC2185 | | | | | | 3151 033 031 | |
| GC21210 | VKC2161 | | | | | | 3151 073 031 | |
| GC22010 | VKC3602 | CBU472921 | | FCR47-8-3/2E FCR47-8-4/2E | 47SCRN35-P2 47SCRN34K-6 | 614127 | 3151 858 001 | |
| GC22080 | VKC3545 | 45TNK20 | 45TNK20AAK2 | 45TNK20/4E 45TNK20/XG | 45TNK20 | 615100 | | |
| GC22110 | VKC3617 | | 47TKB3101A | | | 614077 | 3151 867 001 | |
| GC23010 | VKC3567 | RCT283SA | | FCR44-9/2E | | 614050 | 3151 819 002 | PRB-06 |
| GC23080 | | | | | | | | |
| GC23110 | | | | | | | | |
| GC23210 | | | | | | | | |
| GC24080 | | RCT5188 | | | | | | |
| GC24110 | | | | FCR50-41-3/2E | | | 3151 996 602 | |

GMB CLUTCH RELEASE BEARING

Item Reference Table

| GMB | SKF | KOYO | NSK | NTN | NACHI | BCA | SACHS | VALEO |
|---------|---------|------------------|--|-----------------|-----------------|--------|------------------------------|--------|
| GC25010 | | 48RCT3303 | | | | | | |
| GC25080 | | | | | | | | |
| GC25110 | | | | | | | | |
| GC26010 | VKC2064 | | | | | | 1850 282 127 | |
| GC26080 | | | | | | | | |
| GC26110 | VKC2538 | | WF35=2 | | | | 3151 835 001 3151 997 001 | |
| GC27010 | | | | | | | | |
| GC28010 | VKC2241 | | | | | | 3151 180 131 3151 180 231 | |
| GC29010 | | | | | | | | |
| GC30010 | VKC3559 | RCT371SA | 58TKA3702U3 58TKA3703 58TKA3703B | FCR47-8-3/2E | | | 3151 877 001 | |
| GC30020 | | | | | | | | |
| GC30080 | VKC3541 | CT70B CT70BL1 | TK70-1A1U3 | SF1412/2E | 70TNK-1=70TKN-1 | 613016 | | |
| GC30110 | | | 106TKC7001 | | | | | |
| GC30210 | VKC2523 | | | | | | 3151 994 301 | |
| GC31010 | VKC3606 | RCT422SA1 | 60TKC4202 | | | 613012 | 1863 860 001 | |
| GC31080 | VKC3540 | RCT55B | TK55-1BU3 | 55TRK30A/2E | 55TRK30W1 | | | |
| GC31110 | VKC2131 | | | | | | 3151 027 131 3151 027 031 | |
| GC31210 | | | | | 55SRN34-5 | | | |
| GC32010 | VKC3592 | | 55TKA3201 | FCR55-1-4/2E | | 614016 | 3151 831 001 | |
| GC32080 | VKC3566 | CT5586ARSE | | SF1135/2E | | | | |
| GC32110 | VKC3654 | | 47TKB3101B | | 47SCRN40P | 614122 | 3151 906 001 | |
| GC33010 | VKC3516 | RCTS351SA4 | 60TKA3502U3 | | 60SCRN033-3=31T | 614147 | 3151 834 001 | |
| GC33080 | | | | | | | | |
| GC33110 | | | | | | | | |
| GC34010 | VKC3524 | RCTS355SA | | FCR54-15/2E | | 615104 | 3151 880 001 | |
| GC34080 | | | | | | | | |
| GC34110 | VKC2120 | | | | | | 3151 231 031 | |
| GC35010 | | | 61TKB3001 | | | | | |
| GC35080 | | | | | | | | |
| GC35110 | | | | | | | | |
| GC36010 | VKC2146 | | | | | | 1850 282 607 | |
| GC36080 | | | | | | | | |
| GC36110 | VKC2220 | | | | | | 3151 816 001 | |
| GC37010 | | | | | | | 3151 802 003 | |
| GC37110 | VKC2242 | | | | | | 3151 212 905 | |
| GC38110 | | | 54RCT3437FO | | | | | |
| GC39010 | | | | | | | | |
| GC39110 | | | | | | | | |
| GC40010 | VKC3515 | | 48TKA3201U3 48TKB3202 | FCR48-11/2E | 48SCRN32K | 614126 | | PRB-01 |
| GC40020 | | | | | | | | |
| GC40080 | | CT1310ARSE | | | | | | |
| GC40110 | VKC3672 | | 58TKB3505RA | | | | 3151 997 801 | |
| GC40210 | | RCTS324SA | 55TRK3201 | FCR55-1-4/2EU64 | | | | |

Item Reference Table

| GMB | SKF | KOYO | NSK | NTN | NACHI | BCA | SACHS | VALEO |
|---------|----------|-----------------------------|--|--|-------------|-----------|--|-------|
| GC41010 | VKC3560 | RCTS33SA-1 | 62TKA3309U3 62TKA3310 62TKB3301 62TKB3304 | FCR62-26/2E FCR62-26-5/2E FCR62-5/2E FCR62-9/2E | | 614022 | 3151 811 001 | |
| GC41080 | VKC3537 | | TK45-4BU3 | SF0914 | | 613008 | | |
| GC41210 | | | | | | | | |
| GC42010 | VKC3650 | | | | 68SCRN43A | | | |
| GC42080 | VKC3525 | CT5582RU | 55TNK29 | 55TNK29 | 55TMK-1 | 615110 | | |
| GC42110 | | | | | | | | |
| GC42210 | | | | | | | | |
| GC43010 | VKC3621 | RCT473SA | | | | | | |
| GC43080 | | | | | | | | |
| GC43110 | | | | | | | | |
| GC44010 | VKC3649 | | | | 68SCRN48P | | 3151 997 802 | |
| GC44080 | | | | | | | | |
| GC44110 | | | | | | | | |
| GC45010 | VKC3564 | RCTS338SA4 | 50TKE3301 50TKB3304 | FCR50-30-7/5K FCR50-30-13/5X | | 614056 | 3151 818 001 | |
| GC45080 | | | | | | | | |
| GC46010 | VKC2202 | | | | | | 3151 069 032 3151 122 031 3151 122 331 | |
| GC46080 | | CT55BL1 | TK55-1A1U3 | 55TMK804/4E | 55TMK804 | | | |
| GC47110 | | | | | | | | |
| GC48010 | | | 48TKB3204R | | | | | |
| GC48110 | VKC3672 | | 58TKB3505RA | | | | 3151 997 801 | |
| GC49010 | | | | | | | | |
| GC49110 | | | | | | | | |
| GC50010 | VKC3623 | RCTS28SA | | FCR50-35-6/5K | BC6S | 614082 | 3151 819 002 | |
| GC50020 | | | | | | | 3151 213 031 | |
| GC50080 | | CT1310 | | | | | | |
| GC50110 | VKC2091H | | | | | | 3151 193 041 | |
| GC50210 | | | | | | | | |
| GC51010 | VKC3668 | RCT285SA | | FCR44-3/2E | 44SCRN28P-4 | | | |
| GC51080 | VKC3511 | RCT45-1S | TK45-4EU3 | SF0914/2E | 45TMK-1 | FC-1723-C | 1863 801 001 | |
| GC51110 | VKC2111 | | | | | | 1850 282 193 | |
| GC51210 | | | | | | | | |
| GC52010 | VKC3627 | | | | 68SCRN58P-2 | | 3151 902 001 | |
| GC52080 | VKC3612 | RCT4068A2RSE | | | | | 1863 859 001 | |
| GC52110 | | | 78TKL4801R | | | | | |
| GC52210 | | | | | | | | |
| GC53010 | VKC3626 | RCT356SA8 | | | 50SCRN37P-4 | 614086 | 3151 998 001 | |
| GC53080 | | | | | | | | |
| GC53110 | | | | | | | | |
| GC54080 | | | | | | | | |
| GC54110 | | | | | | | 3151 000 121 | |
| GC55010 | VKC3607 | RCT331SA1 | | FCR50-17-8/2E | | 614026 | | |
| GC55080 | | | | | | | | |
| GC55110 | VKC3673 | | | | | | 3151 994 301 | |
| GC56010 | | | | | | | | |
| GC56080 | VKC3504 | RCT3360A2RS RCT3360A2RRS | 33TKD03U3 | SF0743/2E | 33TRBC-4SB | TO-1711 | 1863 820 001 | |

GMB CLUTCH RELEASE BEARING

Item Reference Table

| GMB | SKF | KOYO | NSK | NTN | NACHI | BCA | SACHS | VALEO |
|---------|---------|--------------------------|-----------------------------|---|-------------|--------|--|-------|
| GC56110 | | | | | | | | |
| GC57010 | | | | | | | | |
| GC57110 | | | 54TKZ3501 | | | | | |
| GC58010 | | | | | | | | |
| GC58110 | VKC3515 | RCT322SA | 48TKB3202 48TKT3202 | FCR48-11/2E | 48SCRN32K | | 3151 808 001 3151 808 002 3151 878 001 | |
| GC59010 | | | 47TKB3001A | | | | | |
| GC59110 | VKC2238 | | | | | | 3151 809 002 | |
| GC60010 | VKC3616 | RCT356SA9 RCT356SA9-1 | 50TKB3504BR 50TKB3504BRA | | 50SCRN44S-2 | 614088 | 3151 875 001 | |
| GC60020 | | | | | | | 3151 998 501 | |
| GC60080 | VKC3500 | RCT4075-1S | TK40-4AU3 | SF0820/2E SF0820/4E | 40TRK-1 | 1576 | 1863 810 001 | |
| GC60110 | | | | | | | | |
| GC60210 | | | | | | | 3151 000 121 | |
| GC61010 | VKC3600 | | | FCR54-13/2E FCR54-19/2E FCR54-47-2/2E FCR54-48/2E FCR54-48-3/2E | | 614079 | | |
| GC61080 | VKC3538 | CT52A-1 | TK52Z-1B TK52Z-1B(U3) | 52TMK804 | BC11S3=S2 | 613008 | | |
| GC61110 | VKC3605 | | 55TKB3502A | | | 614104 | 3151 862 001 | |
| GC61210 | | | | FCR62-30-6/2E | | | | |
| GC62010 | VKC3644 | | | | 68SCRN46P | | | |
| GC62080 | VKC3527 | 65TNK20 | 65TNK20 | 65TNK20/2E | 65TNK20 | | | |
| GC62110 | | | | | | | | |
| GC62210 | | | 44TKB2805R | FCR44-25-3/2E | | | | |
| GC63010 | VKC3628 | | 50TKB3501BR | | 50SCRN34P-4 | | 3151 907 001 | |
| GC63080 | | | | | | | | |
| GC63110 | VKC2115 | | | | | | 1850 282 602 3151 275 601 | |
| GC64010 | VKC2191 | | | | | | 3151 847 001 | |
| GC64080 | VKC3512 | 80TNK20 | TK80-1A | SF1607/2E | 80TNK20-1 | | | |
| GC64110 | | | | | | | | |
| GC65010 | VKC3611 | | | FCR48-24/2E | | 614130 | 3151 865 001 | |
| GC65080 | | | | | | | | |
| GC65110 | | | | | | | | |
| GC66010 | VKC5071 | | | | | | | |
| GC66080 | | | | | | | | |
| GC66110 | | | | | | | | |
| GC67010 | | | | | | | | |
| GC67110 | VKC3564 | RCTS338SA1 RCTS338SA2 | 50TKB3304 50TKE3301 | FCR50-30-2 FCR50-20/2E | | 614056 | 3151 818 001 | |
| GC68010 | VKC2536 | | | | | | | |
| GC68110 | VKC2239 | | | | | | 3151 874 002 | |
| GC69010 | | | | | | | | |
| GC69110 | VKC3552 | RCT323SA | 48TKA3210 | FCR65-1/2E | | 614044 | 3151 830 001 | |
| GC70000 | VKC3541 | | | | | | | |
| GC70010 | VKC3622 | RCT335SA4 | 50TKB3307R | | 50SCRN31P-1 | 614512 | 3151 899 001 | |
| GC70020 | | | | | | | | |

Item Reference Table

| GMB | SKF | KOYO | NSK | NTN | NACHI | BCA | SACHS | VALEO |
|---------|----------|-----------------------------|--|--|-----------------|------------------|--|--------|
| GC70080 | VKC3506 | RCT4064S RCT4064SL1 | 40TKD01U3 TK40-14AU3 | SF0815/2E SF0815/4E | 40TRK39-1 | 614000 614081 | | |
| GC70110 | | | | | | | | |
| GC70210 | | | | | | | | |
| GC71010 | VKC3615 | RCT356SA6 | 50TKB3505BR | | 50SCRN40P-4 | 614086 | 3151 881 001 | |
| GC71080 | VKC3514 | CT55BL1 | TK55-1A1U3 | 55TMK804X/2E | 55TMK804 | 613009 | | |
| GC71110 | | | 50TKB3508R | | | 614612 | | |
| GC71210 | VKC2045 | | | | | | 3151 133 331 3151 133 031 3151 104 001 3151 038 031 | |
| GC72010 | VKC3508 | RCTS31SA | 55TKA3102 55TKA3202A 55TKA3102U3 | X10-FCR55-5/2E | | 614031/614146 | 3151 817 001 | |
| GC72080 | VKC3513 | CT45-1S T45E | TK45-2 TK45-4U3 | 45TMK804X | 45TMK-1A | 1773 | | |
| GC72110 | | | | | | | | |
| GC72210 | | | | | | | 3400 005 036 | |
| GC73010 | VKC2520 | | | | | | | |
| GC73080 | | | | | | | | |
| GC74010 | VKC3587 | RCT47SA1 RCT4700SA | | | | 614141 | | |
| GC74080 | | | | | | | | |
| GC74110 | | | | | | | 3151 997 501 | |
| GC75010 | VKC5045 | | | | | | | |
| GC75080 | | | | | | | | |
| GC76010 | | | | | | | | |
| GC76110 | VKC5168A | | WF28.5=1 | | | FI-1710-C | 3151 130 241 3151 130 141 | |
| GC77110 | VKC3516 | RCTS351SA4 | 60TKA3502U3 | | 60SCRN033-3=31T | 614147 | 3151 834 001 | |
| GC78010 | | | | | | | 3151 000 014 | |
| GC78110 | VKC2186 | | | | | | 3151 089 001 | |
| GC79010 | | | | | | | | |
| GC79110 | VKC2433 | | | | | | 3151 998 701 3151 814 001 | |
| GC80000 | VKC3527 | | | | | | | |
| GC80010 | VKC3695 | | 50TKA3805 | | | | | PRB-08 |
| GC80020 | | | | | | | 3000 743 001 | |
| GC80080 | VKC3504 | RCT3360A2RS RCT3360A2RRS | 33TKD03U3 | SF0743/2E | 33TRBC-4SB | TO-1711 | 1863 820 001 | |
| GC80110 | VKC3619 | | | FCR44-32-2/2E | | 614120 | 3151 901 001 | |
| GC80210 | VKC2216 | | | | | | 3151 826 001 | |
| GC81010 | VKC3579 | RCTS325SA | | FCR55-17-11/2E FCR55-10/2E FCR55-17/2E | | 614053 | | PRB-02 |
| GC81080 | VKC3543 | CT38-1L1 | 24TK308E1U3 | 24TK308/Y | BC12C | 615135 | | |
| GC81110 | | | | | | 614161 | | |
| GC81210 | VKC2045 | | | | | | | |
| GC82010 | VKC3574 | RCT432SA | | | | 614076 | | |
| GC82080 | | | | | | | | |
| GC82210 | | | | | | | 3400 700 312 | |

GMB CLUTCH RELEASE BEARING

Item Reference Table

| GMB | SKF | KOYO | NSK | NTN | NACHI | BCA | SACHS | VALEO |
|---------|----------|--|---|---|--------------------|---------|--|-------|
| GC83010 | VKC3625 | | 60TKB3500R 60TKB3506R | | 60SCRN31P-6 | 6140910 | 3151 900 001 | |
| GC83080 | VKC3546 | 60TMK20U3 | | 60TMK20 | 60TMK20 | 613017 | | |
| GC83110 | | | 93TKC6301 | | | | | |
| GC84010 | VKC3631 | CT541SA | 78TKC5401 | | | 613014 | | |
| GC84080 | | | | | | | | |
| GC84110 | | | | | | | | |
| GC85010 | VKC3669 | | 78TKL4001AR | | | | | |
| GC85080 | | | | | | | | |
| GC85110 | | | | | | | | |
| GC86110 | VKC2501 | | | | | | 3151 837 002 1850 282 666 | |
| GC87010 | | | | | | | | |
| GC87110 | VKC2045 | | | | | | 3151 038 031 3151 133 331 3151 254 041 | |
| GC88010 | VKC3588 | RCT282SA | 44TKB2805R | FCR44-25-3/2E | | 614145 | 3151 879 001 | |
| GC89010 | | | 60TKT3901 | | | | | |
| GC89110 | VKC2241 | | | | | | 3151 180 231 | |
| GC90000 | VKC3500 | | | | | | | |
| GC90010 | VKC3558 | RCT401SA | 54TKA3501 | | | | | |
| GC90020 | VKC5226 | | | | | | 3151 273 431 3151 169 332 3151 000 034 | |
| GC90080 | VKC3509 | RCT35-1 RCT3558ARUS RCT2558ARUSL1 CT35S | 35TMK29B2U3 35TMK29B2U5 35TMK29C1U3 | SF0721/2E SF0725/2E | 35TRK39 35TRK-1 | 613001 | 1863 841 001 3151 994 701 | |
| GC90110 | | | | | | | 3151 270 503 3151 272 905 | |
| GC90210 | | | | | | | | |
| GC91010 | VKC3568 | RTC331SA RTC336SA | 54TKE3601 | FCR50-10/2E FCR50-10-1/2E FCR50-1/2E | 50SCRN40K | 614026 | 3151 813 001 | |
| GC91080 | | 40TMK28 | 40TMK291BU3 | 40TMK29 | 40TMK29-1 | | | |
| GC91110 | | | | | | 614121 | | |
| GC91210 | VKC2184 | | | | | | 3151 122 031 | |
| GC92010 | VKC3565 | RCT40SA RCT40SA2 RCT40SA3 | 62TKA3303U3 62TKC4001 | | | 613015 | 3151 855 001 | |
| GC92080 | | | | | | | | |
| GC92110 | VKC5062 | | | | | | 3151 997 201 | |
| GC92210 | VKC2025 | | | | | | | |
| GC93010 | VKC3555 | RCTS33A3 | 48TKA3301 48TKB3301 48TKB3302A | FCR48-12/2E FCR48-23/2E FCR48-23-4/2E | | 614047 | | |
| GC93080 | | | | | | | | |
| GC93110 | | | | | | | | |
| GC94010 | VKC3643 | | 68TKB3506AR | | | | | |
| GC94080 | | | | | | | | |
| GC94110 | | | 68TKB3803RA | | | | | |
| GC95010 | VKKC5052 | | | | | | | |

Item Reference Table

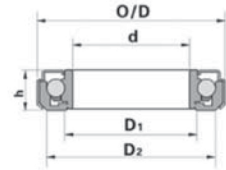
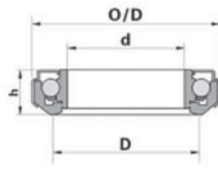
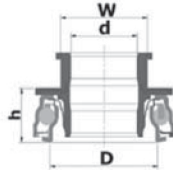
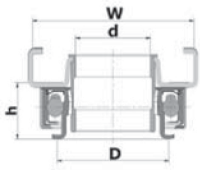
| GMB | SKF | KOYO | NSK | NTN | NACHI | BCA | SACHS | VALEO |
|---------|---------|------------|-------------|-----|-------|-----------|------------------------------|-------|
| GC95080 | | | | | | | | |
| GC95110 | VKC2216 | | | | | | 3151 826 001 | |
| GC96010 | VKC2601 | | | | | | 3151 271 937 3151 843 001 | |
| GC96110 | VKC2168 | | WF28.5=1 | | | FI-1710-C | 3151 130 241 3151 130 141 | |
| GC97110 | | | | | | | | |
| GC98010 | | | 60TKZ3502AR | | | | | |
| GC98110 | | | | | | | | |
| GC99010 | | | | | | | 3151 182 233 | |
| GC99110 | | RCTS70SA-5 | | | | | | |

PART 5

Item Picture & Basic Dimension

GMB

GMB Item Picture & Basic Dimension



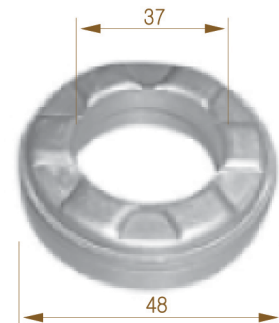
GC00110



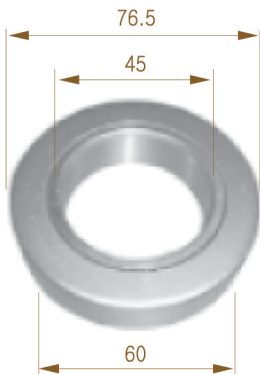
GC00210



GC01010



GC01080



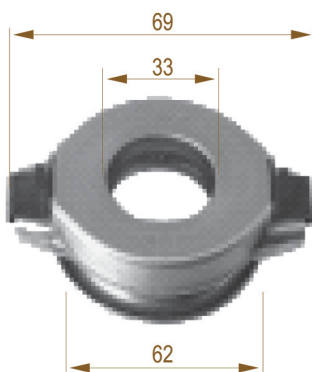
GC01110



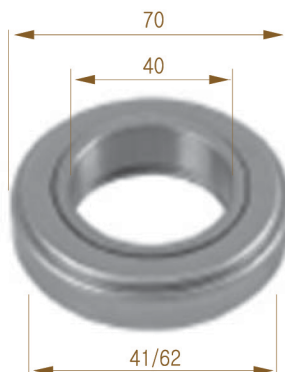
GC01210



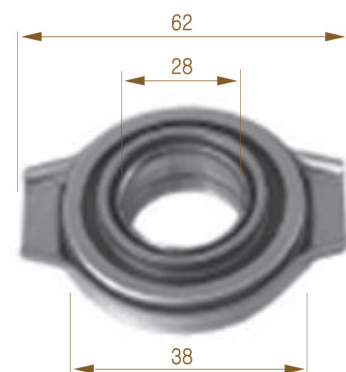
GC02010

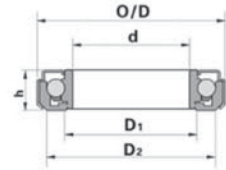
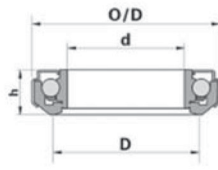
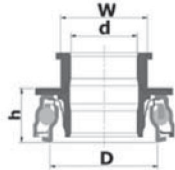
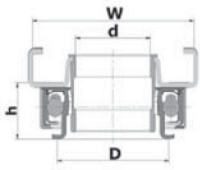


GC02080



GC02110

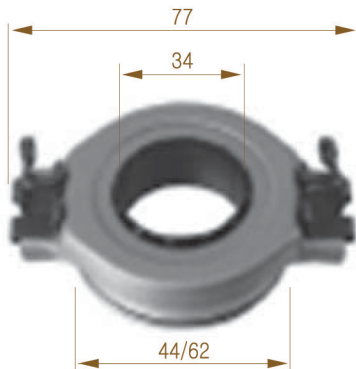




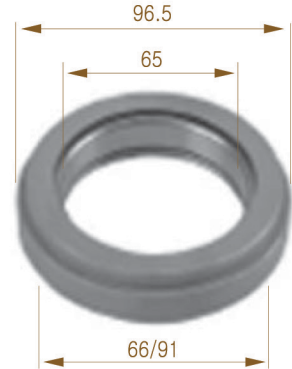
GC02210



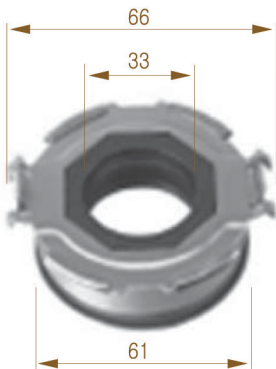
GC03010



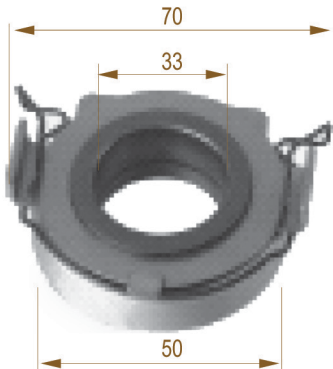
GC03080



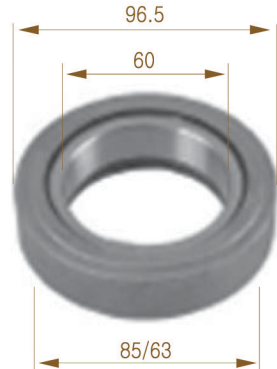
GC03110



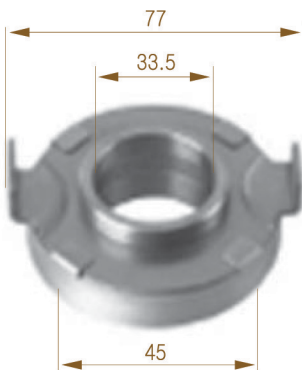
GC04010



GC04080



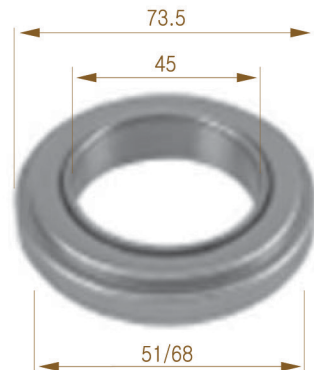
GC04110



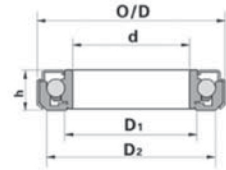
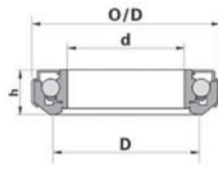
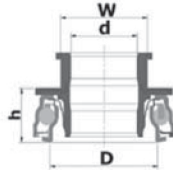
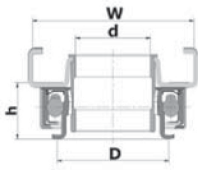
GC05010



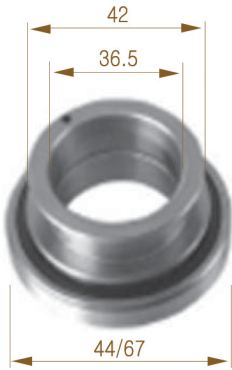
GC05080



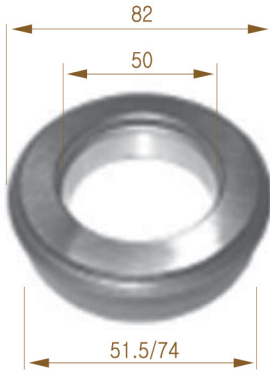
GMB Item Picture & Basic Dimension



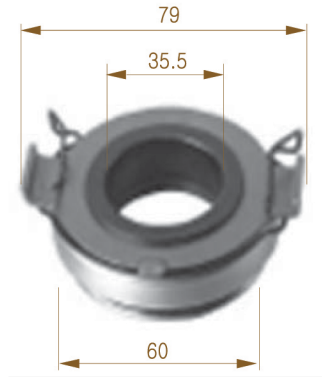
GC06010



GC06080



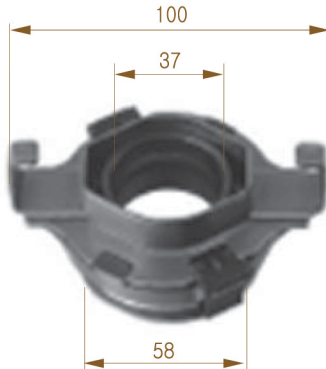
GC06110



GC07010



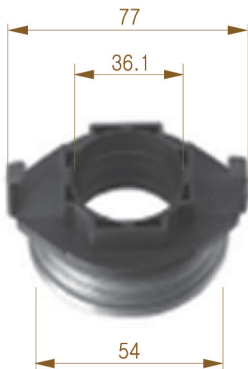
GC07110



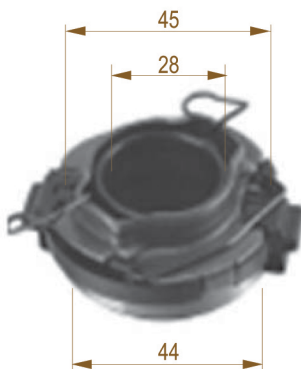
GC08010



GC08110

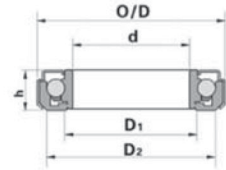
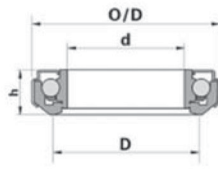
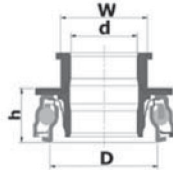
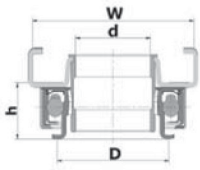


GC09010



GC09110





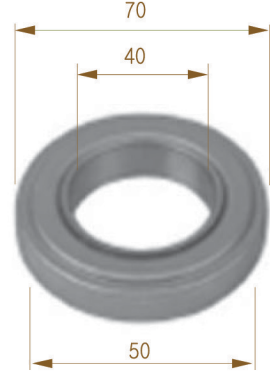
GC10010



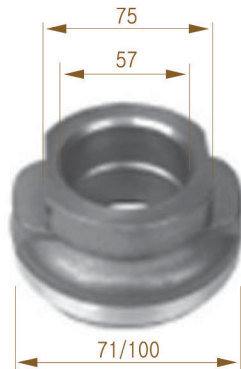
GC10020



GC10081



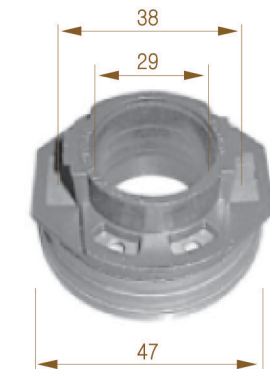
GC10110



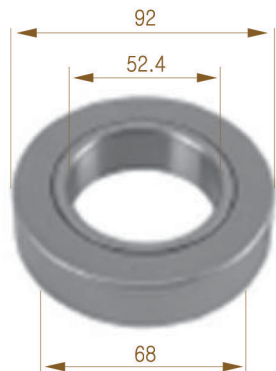
GC10210



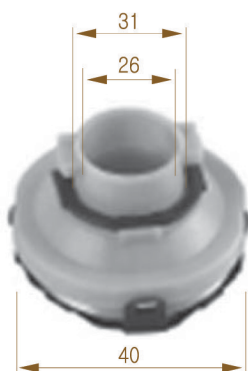
GC11010



GC11081



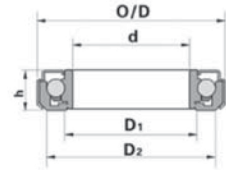
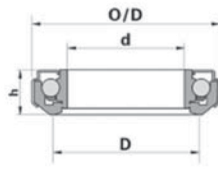
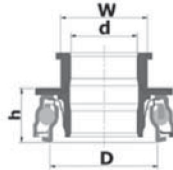
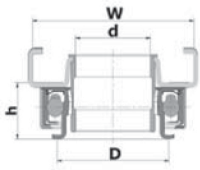
GC11110



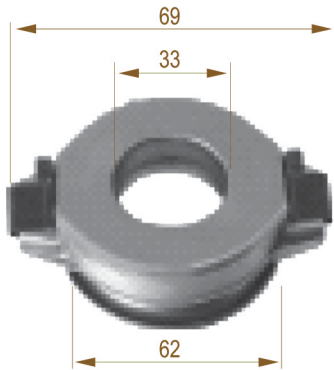
GC11210



GMB Item Picture & Basic Dimension



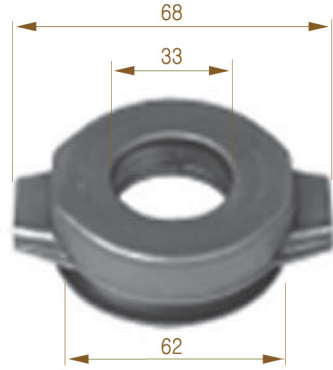
GC12010



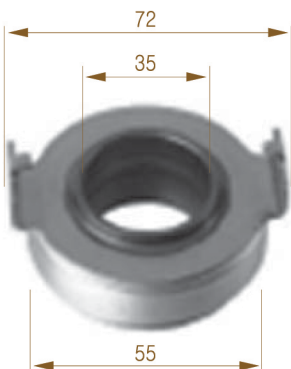
GC12080



GC12110



GC13011



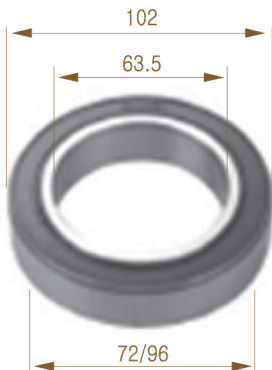
GC13080



GC13110



GC14080

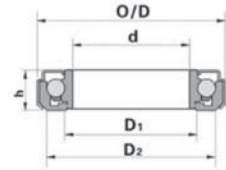
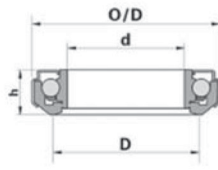
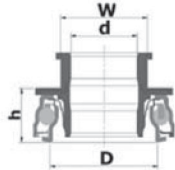
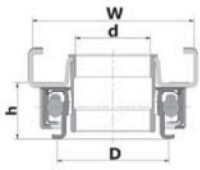


GC14110



GC15010





GC15080



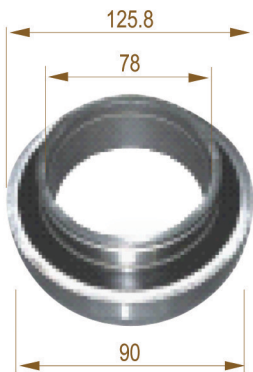
GC15110



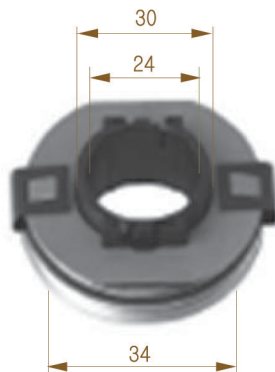
GC16010



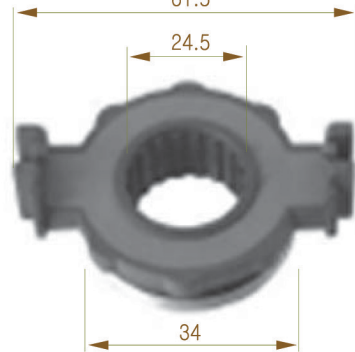
GC16080



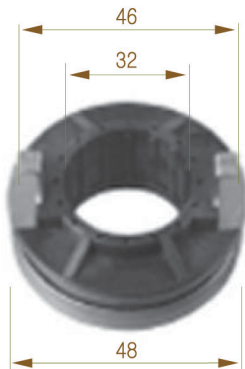
GC16110



GC17011



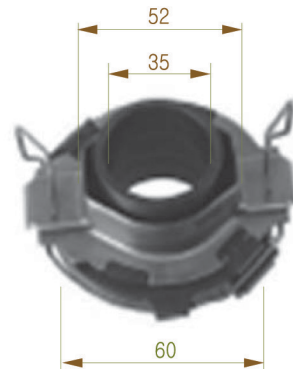
GC18010



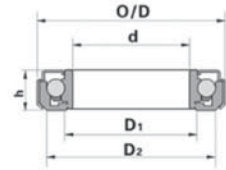
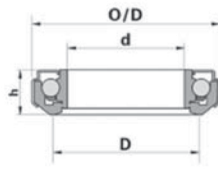
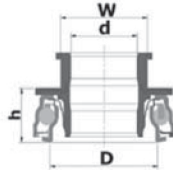
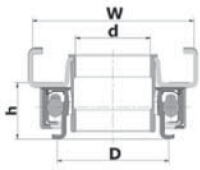
GC18110



GC19010



GMB Item Picture & Basic Dimension



GC20010



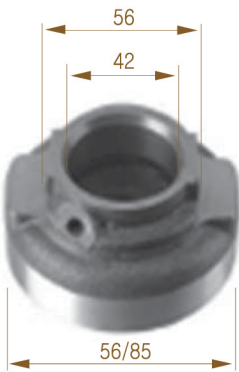
GC20020



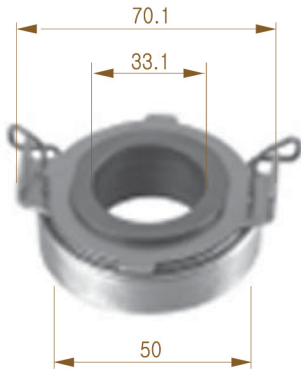
GC20080



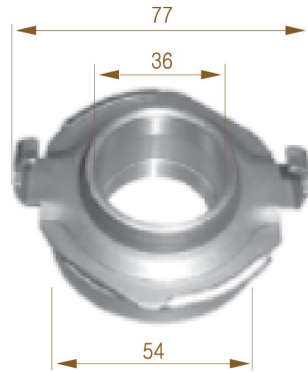
GC20110



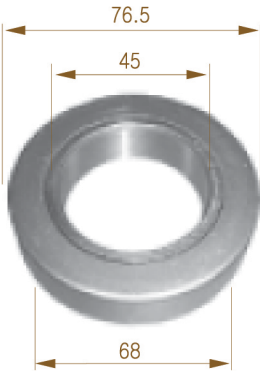
GC20210



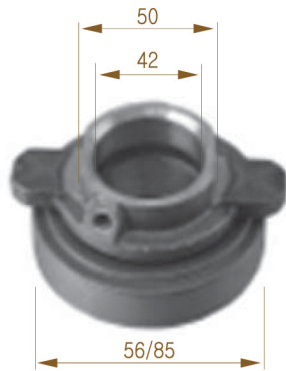
GC21010



GC21080

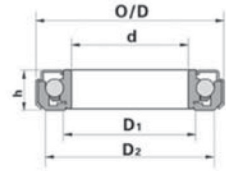
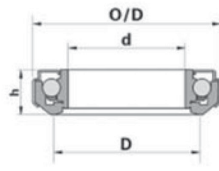
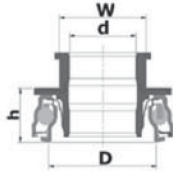
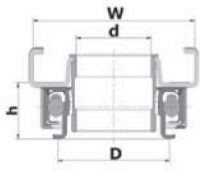


GC21110

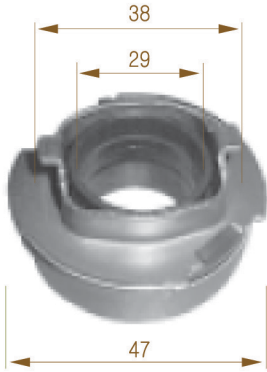


GC21210





GC22010



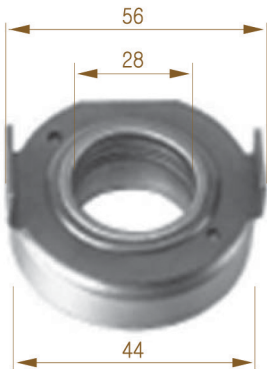
GC22080



GC22110



GC23010



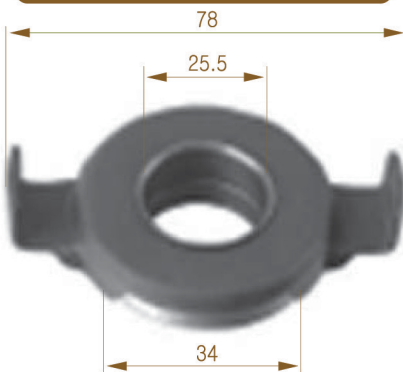
GC23080



GC23110



GC24011



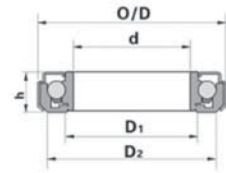
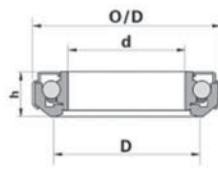
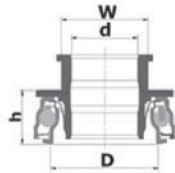
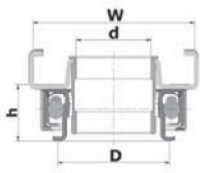
GC24080



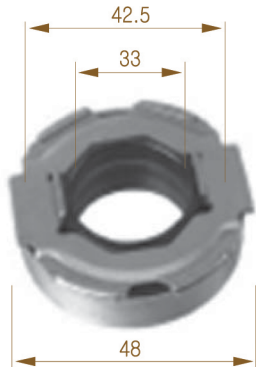
GC24110



GMB Item Picture & Basic Dimension



GC25010



GC25080



GC25110



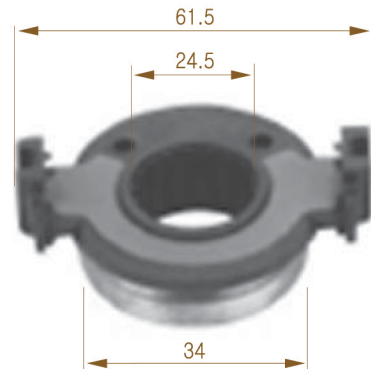
GC26010



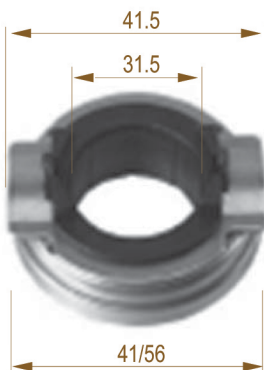
GC26110



GC27010



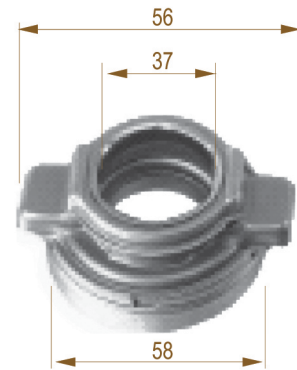
GC28010

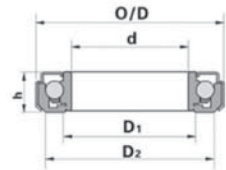
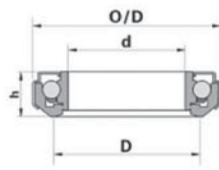
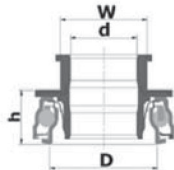
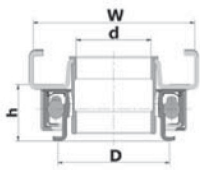


GC29010

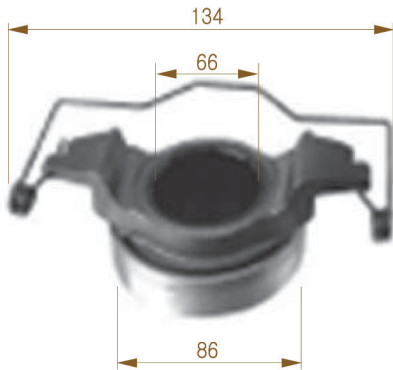


GC30010

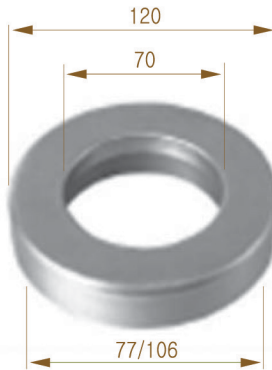




GC30020



GC30110



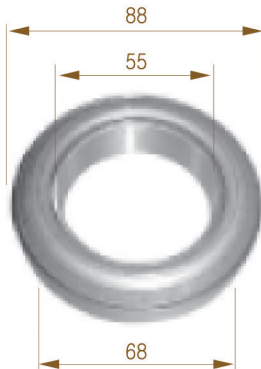
GC30210



GC31010



GC31080



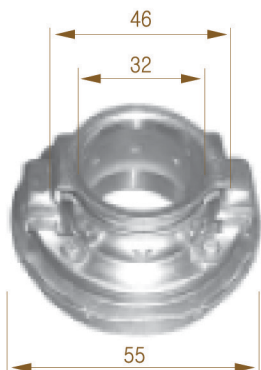
GC31110



GC31210



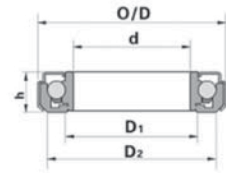
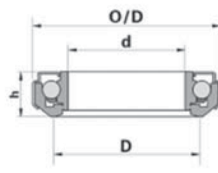
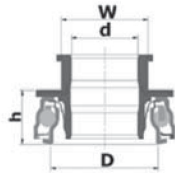
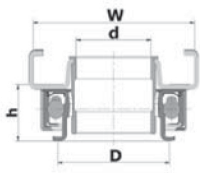
GC32010



GC32080



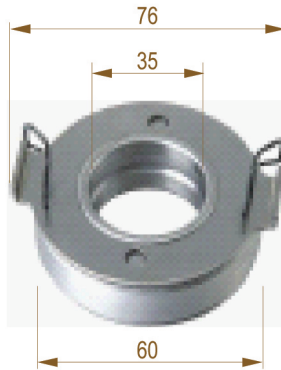
GMB Item Picture & Basic Dimension



GC32110



GC33010



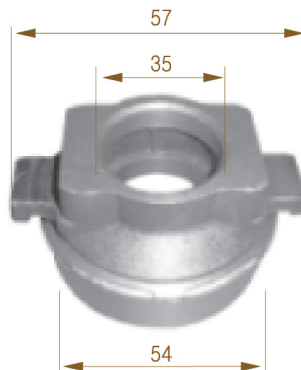
GC33080



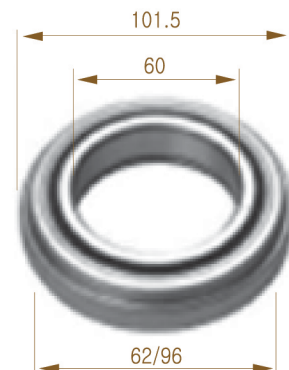
GC33110



GC34010



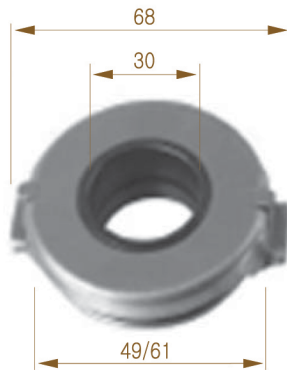
GC34080



GC34110

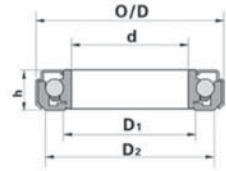
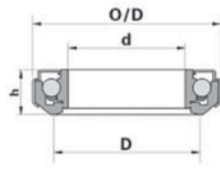
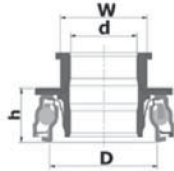
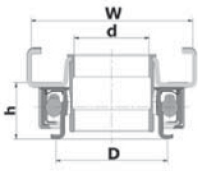


GC35010



GC35080





GC35110



GC36010



GC36110



GC37010



GC37110



GC38110



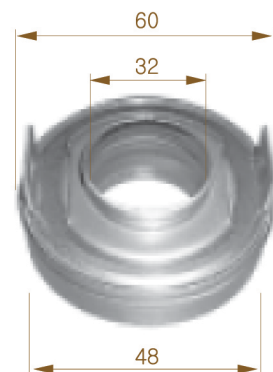
GC39010



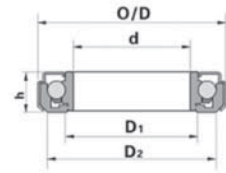
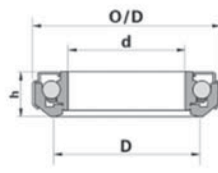
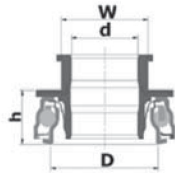
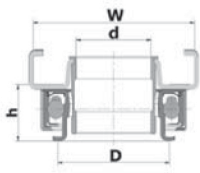
GC39110



GC40010



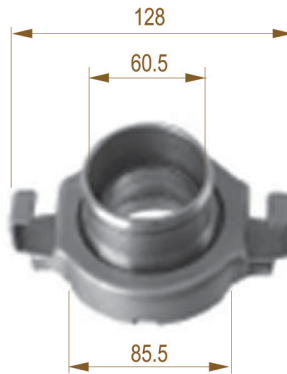
GMB Item Picture & Basic Dimension



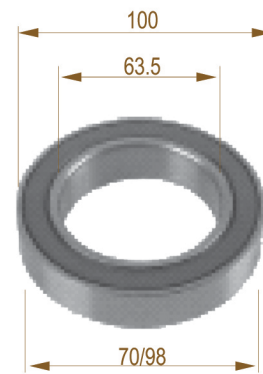
GC40011



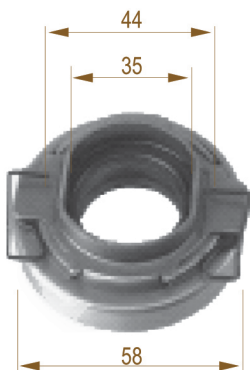
GC40020



GC40080



GC40110



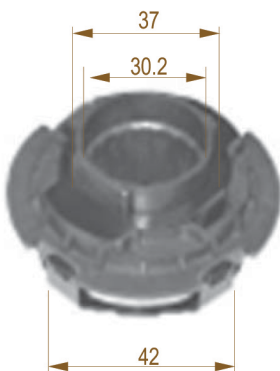
GC40210



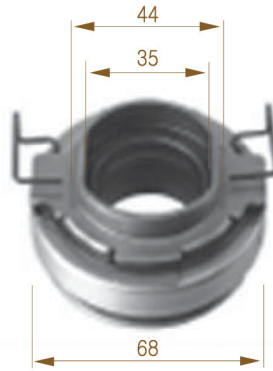
GC41080



GC41210

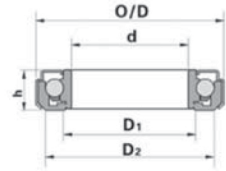
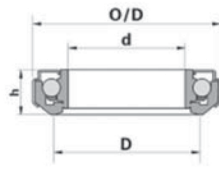
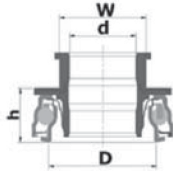
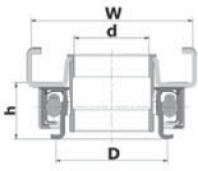


GC42010



GC42080





GC42110



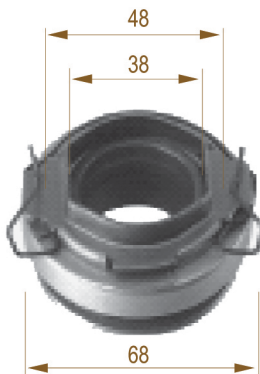
GC43010



GC43080



GC44010



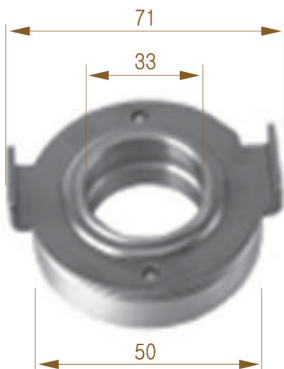
GC44080



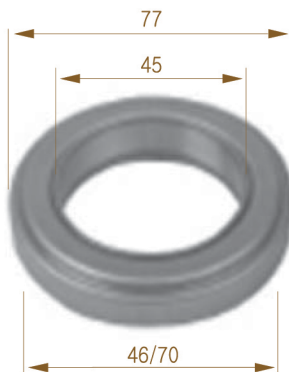
GC44110



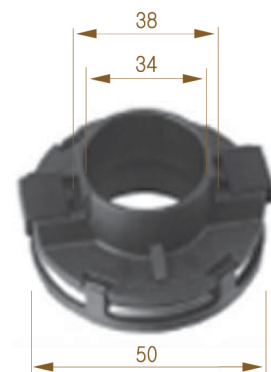
GC45010



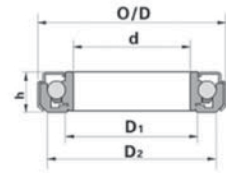
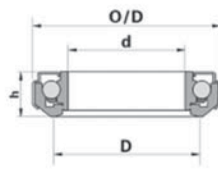
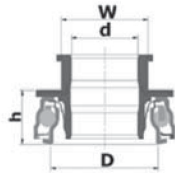
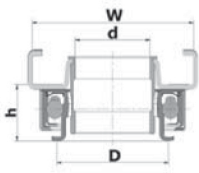
GC45080



GC46010



GMB Item Picture & Basic Dimension



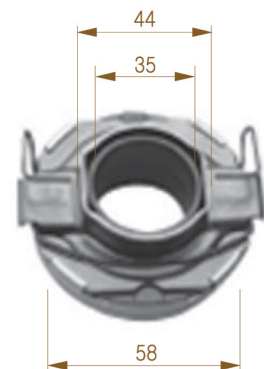
GC47110



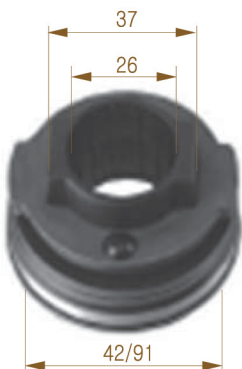
GC48010



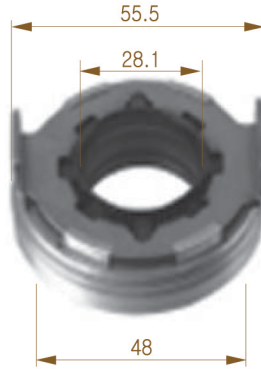
GC48110



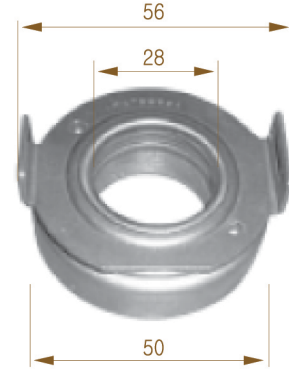
GC49010



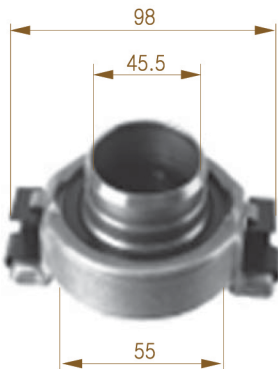
GC49110



GC50010



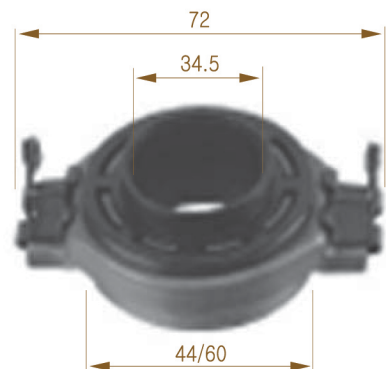
GC50020

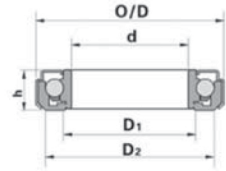
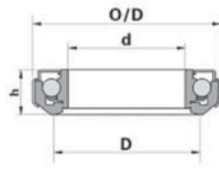
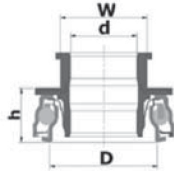
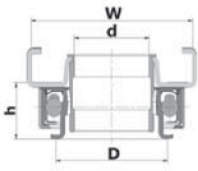


GC50080



GC50110

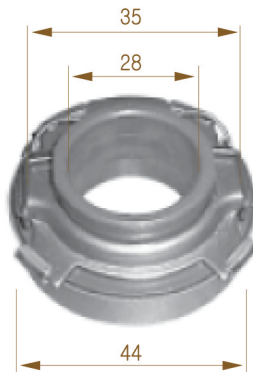




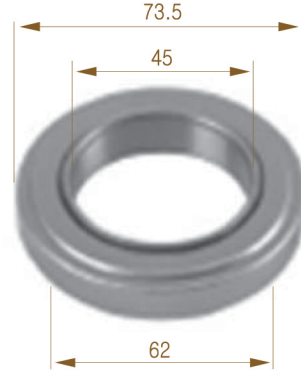
GC50210



GC51010



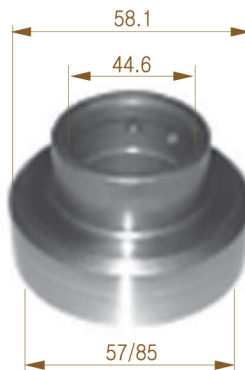
GC51080



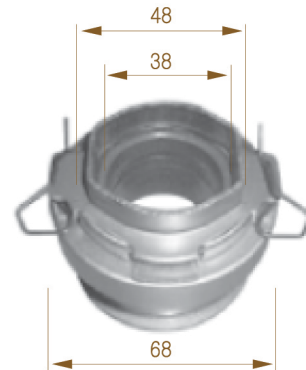
GC51110



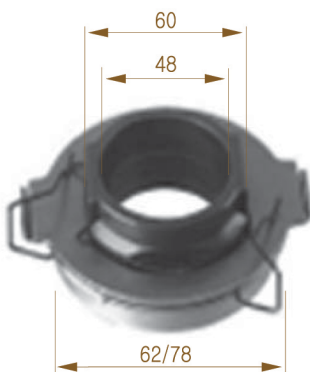
GC51210



GC52010



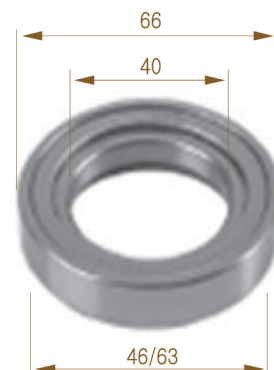
GC52110



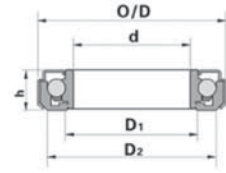
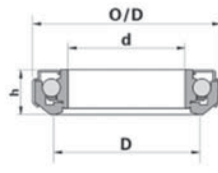
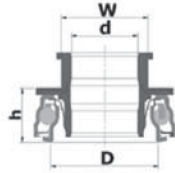
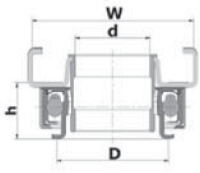
GC53010



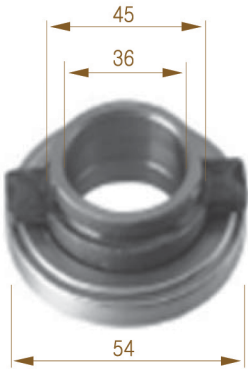
GC53080



GMB Item Picture & Basic Dimension



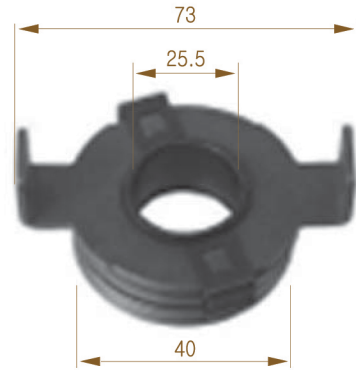
GC53110



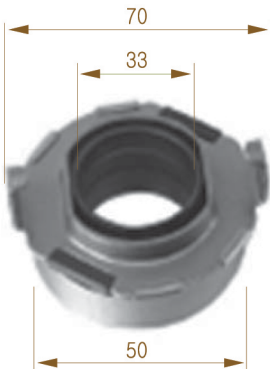
GC54080



GC54110



GC55010



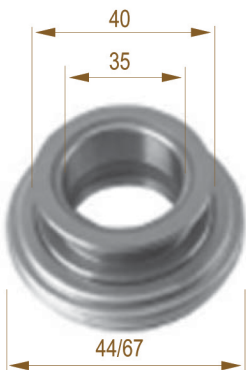
GC55080



GC55110



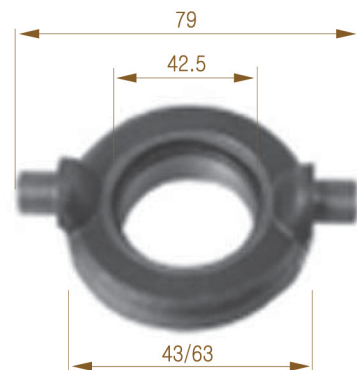
GC56010

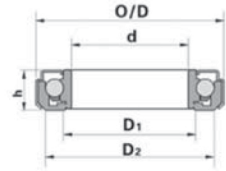
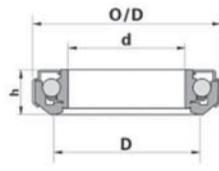
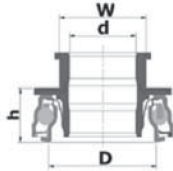
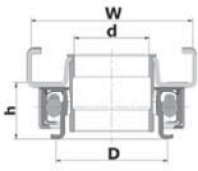


GC56110



GC57010

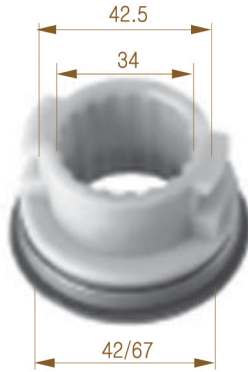




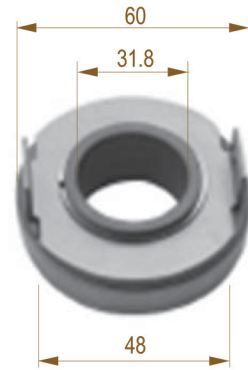
GC57110



GC58010



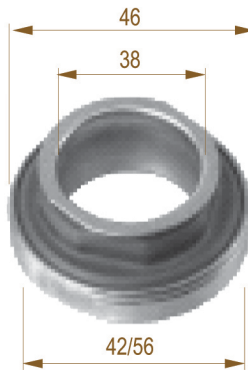
GC58110



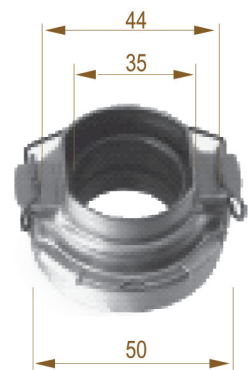
GC59010



GC59110



GC60010



GC60020



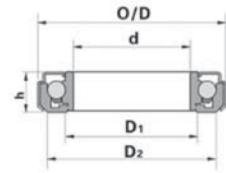
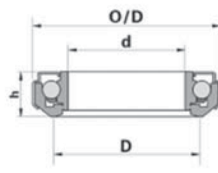
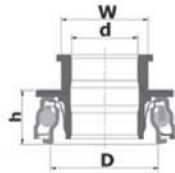
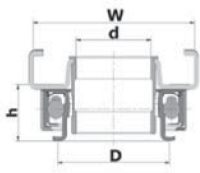
GC60110



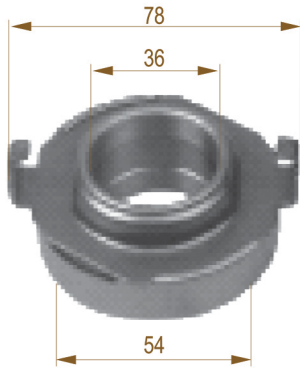
GC60210



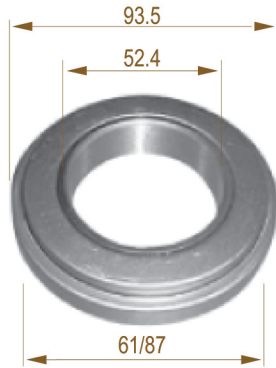
GMB Item Picture & Basic Dimension



GC61010



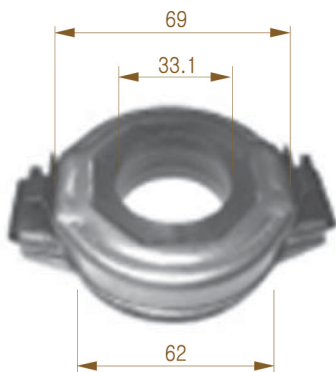
GC61080



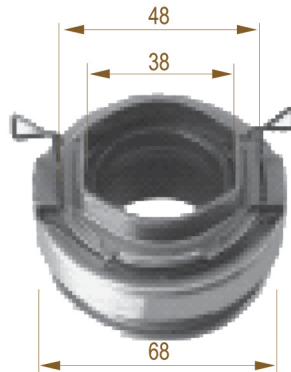
GC61110



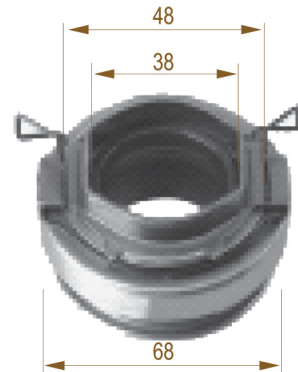
GC61210



GC62010



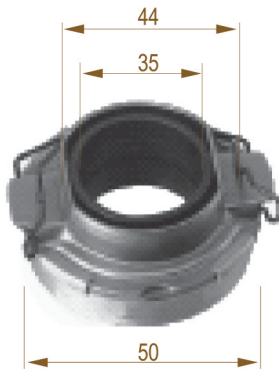
GC62010



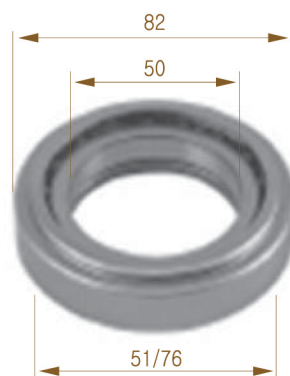
GC62110

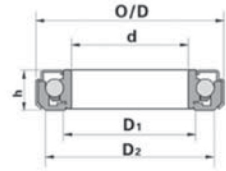
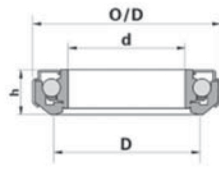
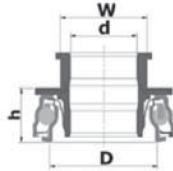
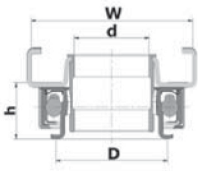


GC63010



GC63080





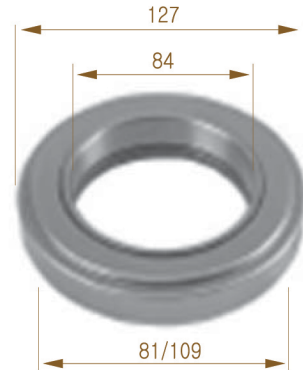
GC63110



GC64010



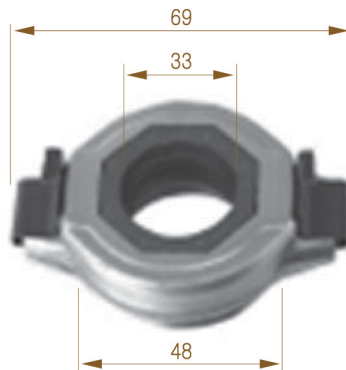
GC64080



GC64110



GC65010



GC65080



GC65110



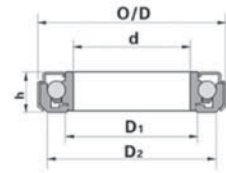
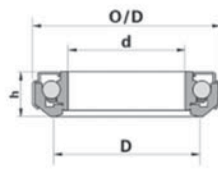
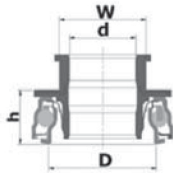
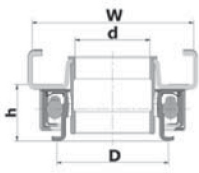
GC66010



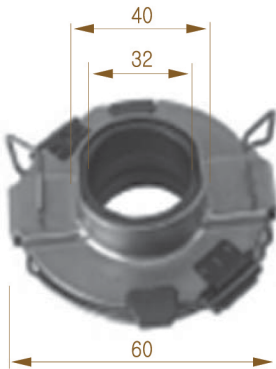
GC66110



GMB Item Picture & Basic Dimension



GC67010



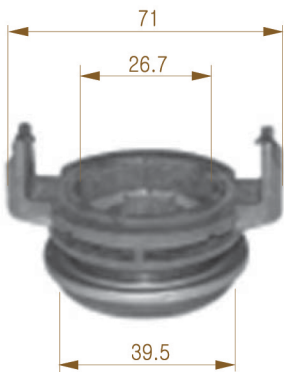
GC67110



GC68010



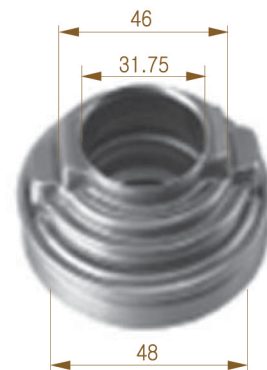
GC68110



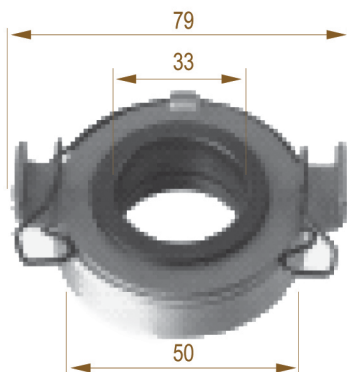
GC69010



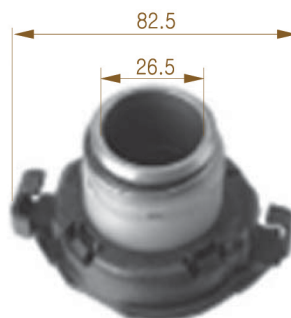
GC69110



GC70010

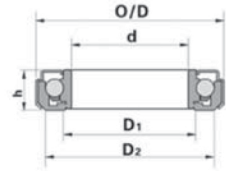
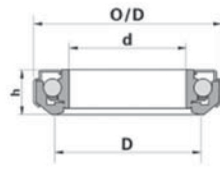
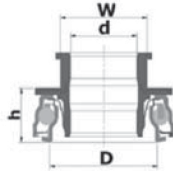
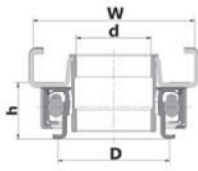


GC70020



GC70110

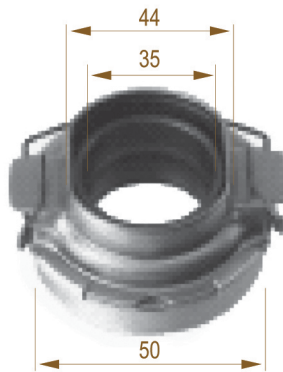




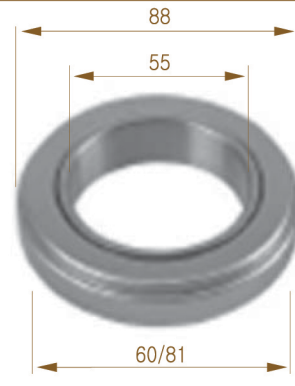
GC70210



GC71010



GC71080



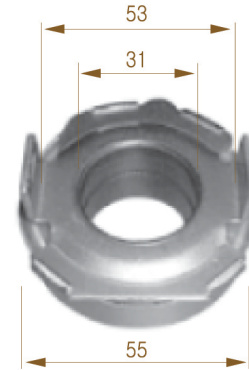
GC71110



GC71210



GC72010



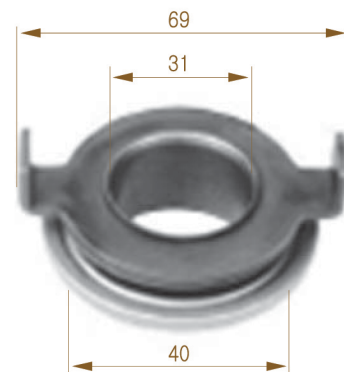
GC72080



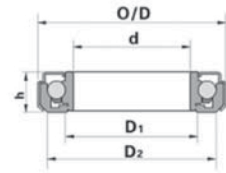
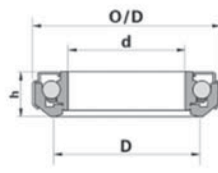
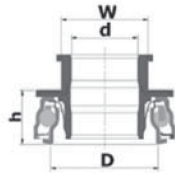
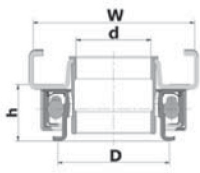
GC72110



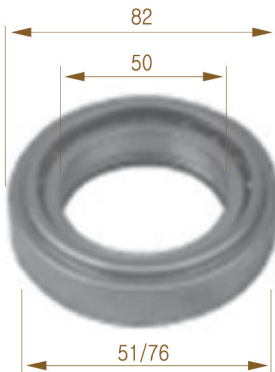
GC73010



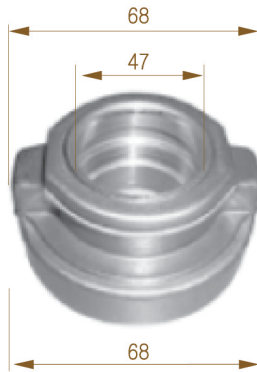
GMB Item Picture & Basic Dimension



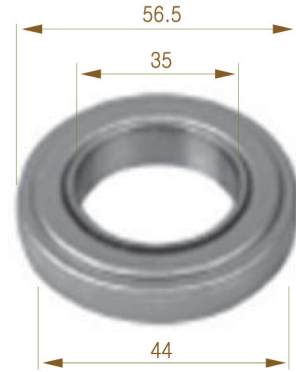
GC73080



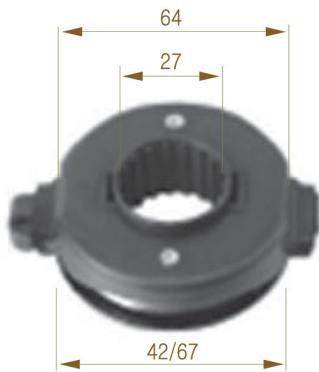
GC74010



GC74080



GC74110



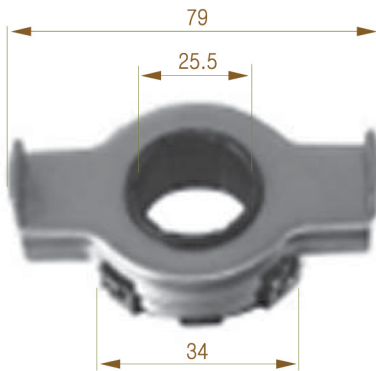
GC75010



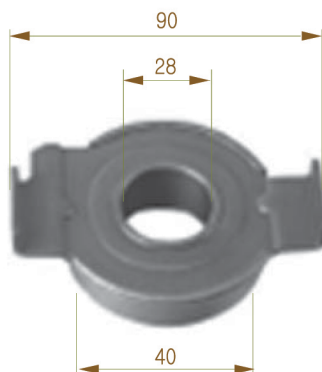
GC75080



GC76010

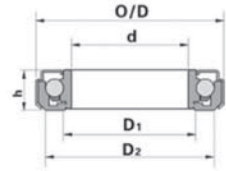
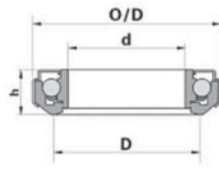
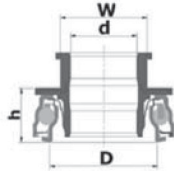
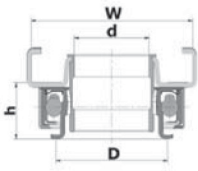


GC76110

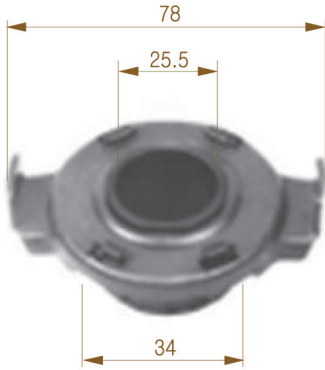


GC77110

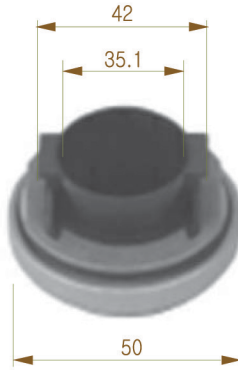




GC78010



GC78110



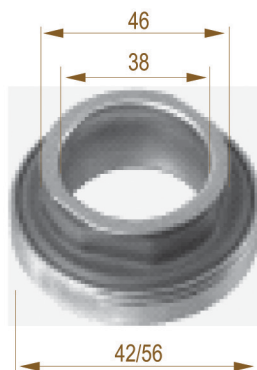
GC79010



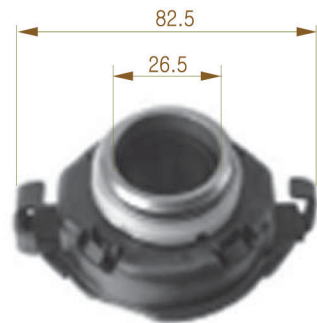
GC79110



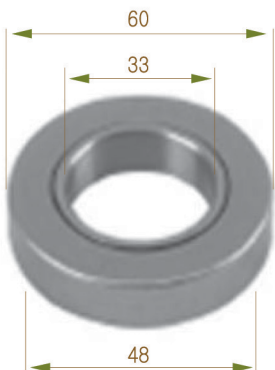
GC80010



GC80020



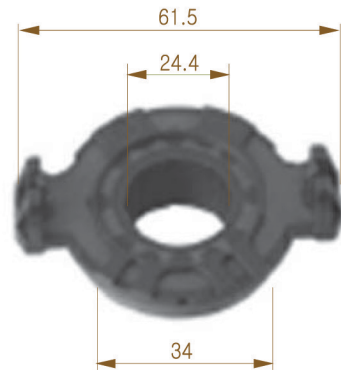
GC80080



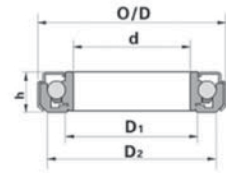
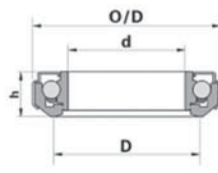
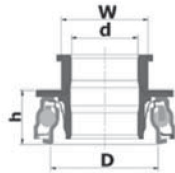
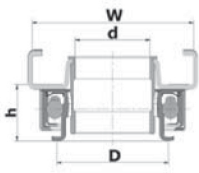
GC80110



GC80210



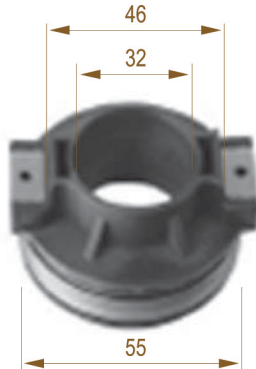
GMB Item Picture & Basic Dimension



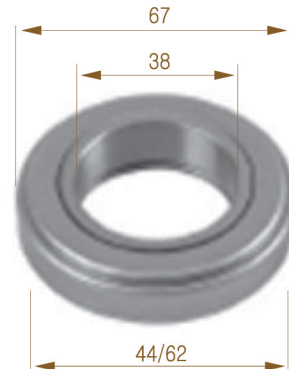
GC81012



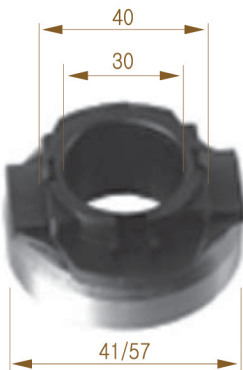
GC81012



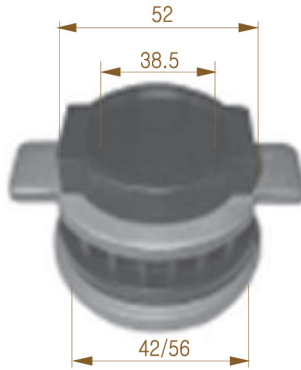
GC81080



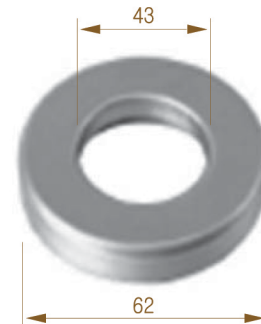
GC81110



GC81210



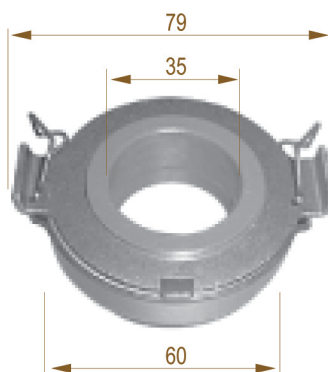
GC82010



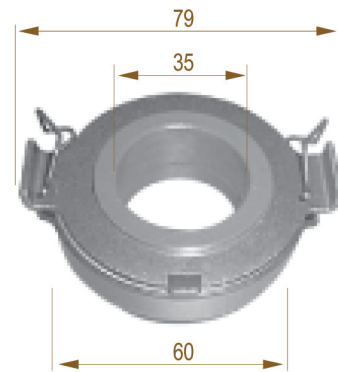
GC82080

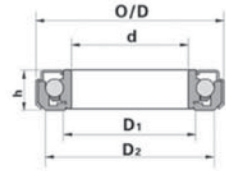
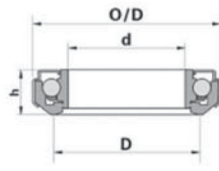
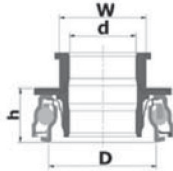
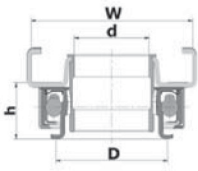


GC83010



GC83010





GC83080



GC83110



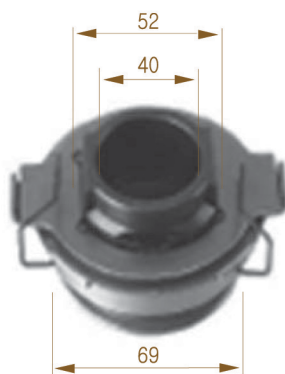
GC84010



GC84080



GC84110



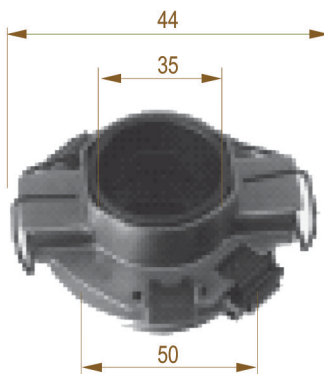
GC85010



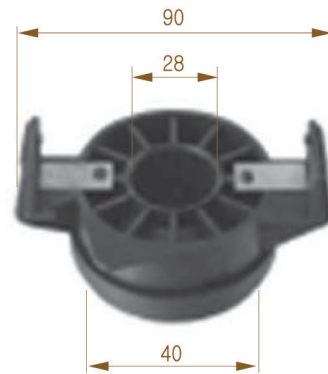
GC85080



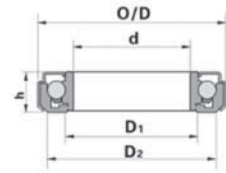
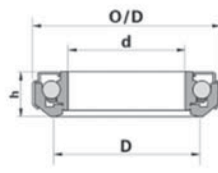
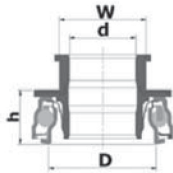
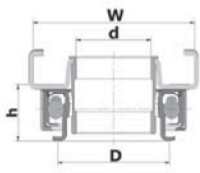
GC85110



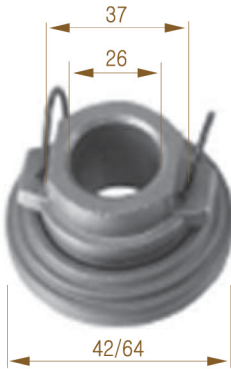
GC86110



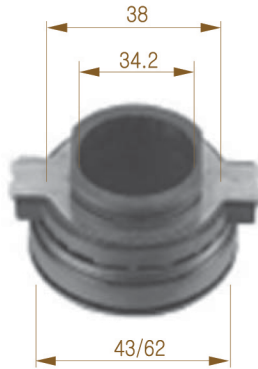
GMB Item Picture & Basic Dimension



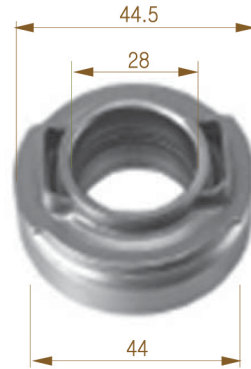
GC87010



GC87110



GC88010



GC89010



GC89110



GC90010



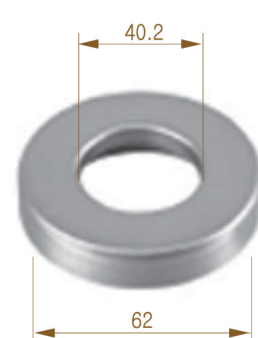
GC90020

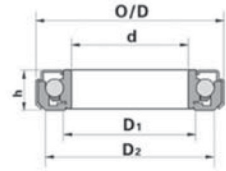
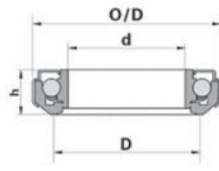
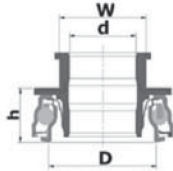
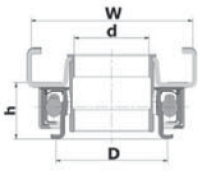


GC90110

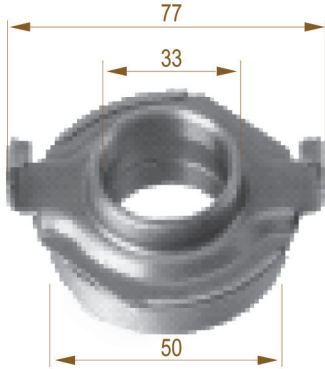


GC90210

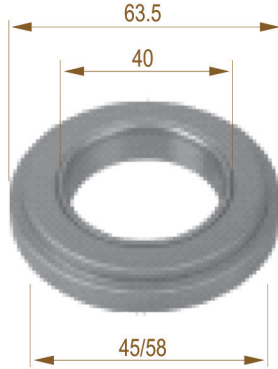




GC91010



GC91080



GC91110



GC91210



GC92010



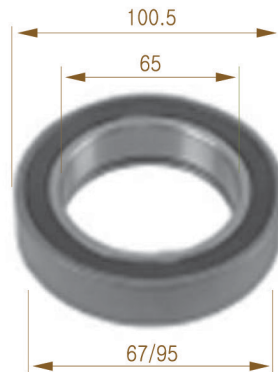
GC92080



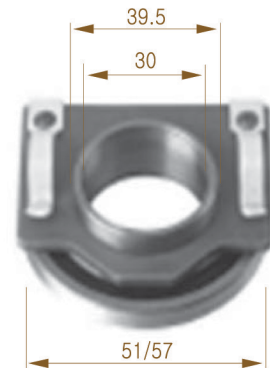
GC92110



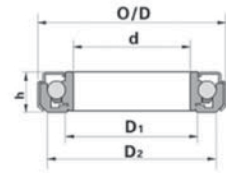
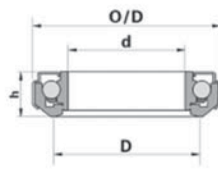
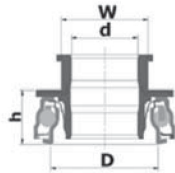
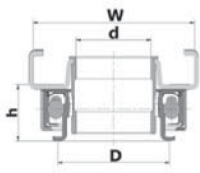
GC93080



GC93110



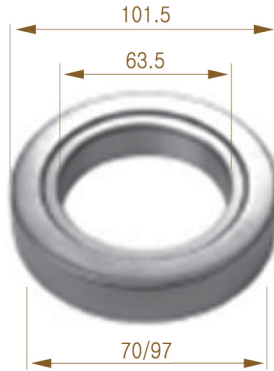
GMB Item Picture & Basic Dimension



GC94010



GC94080



GC94110



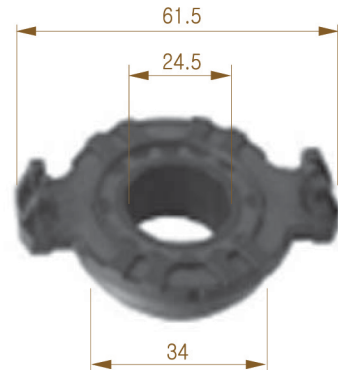
GC95010



GC95080



GC95110



GC96010

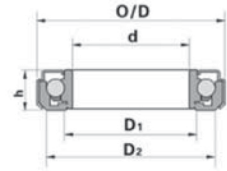
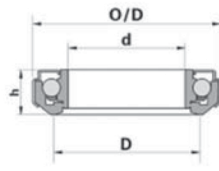
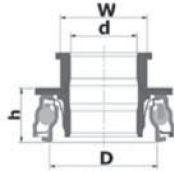
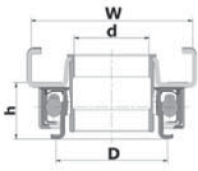


GC96110



GC97110

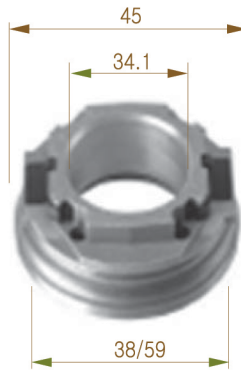




GC98010



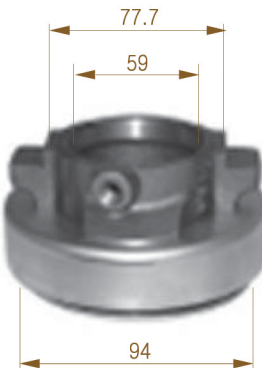
GC98110



GC99010



GC99110





GMB Corporation (JAPAN)

No.150-3, Handa, Kawanishi-cho, Shiki-gun Nara 636-0295
Tel.81-745-44-1911 / Fax.81-745-44-1930
<https://www.gmb.jp>

GMB Korea Corporation

#543 Gongdanro, Seongsan-Gu, Changwon-City,
Gyeongnam, 642-315, Korea
Tel.82-55-278-2154 / Fax.82-55-283-5725
<http://www.gmb.co.kr>

GMB North America, Inc. (U.S.A)

Head Quarter (New Jersey)
100 Herrod Blvd, Dayton, NJ 08810, U.S.A.
Tel.1-609-655-2422 / Fax.1-609-655-2257

California Branch (California)
22310 S. Bonita street, Carson, CA 90745, U.S.A.
Tel.1-310-631-7555 / Fax.1-310-631-5795
<http://www.gmb.net>

GMB Oceania Pty. Ltd.

1 / 208 Walters Road, Arndell Park, NSW, Australia 2148
Tel.+61-1300-007-132
<http://www.gmb-oceania.com>